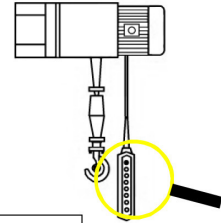





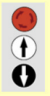









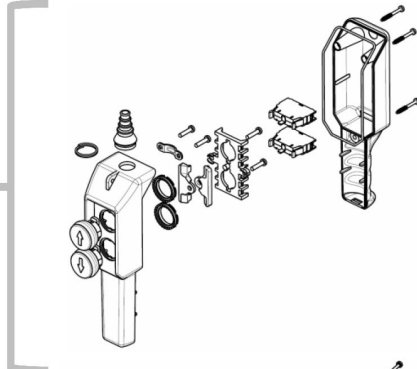
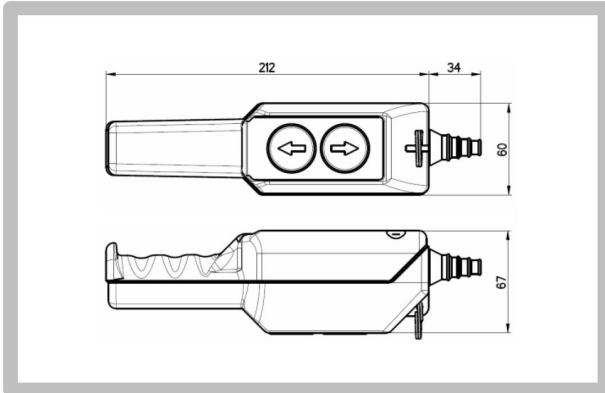
Characteristics:

- Bi-directional, mechanically interlocked
- IP 65 double insulation IEC/EN60529
- Laser engraved symbols comply with EN60204-1, FEM 9.941
- Shock proof and heat resistant

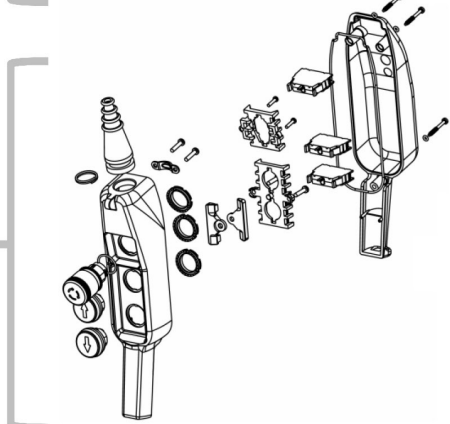
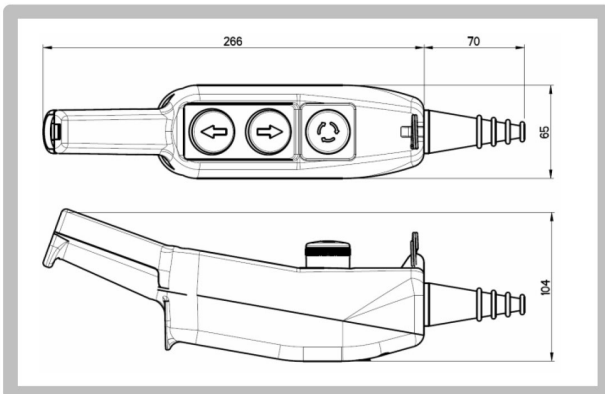


PICTURE	LAYOUT	CONFIGURATION	CODE	CONTACT TYPE		WEIGHT [gr]
				NO	NC	
		SINGLE SPEED (* TILTING BUTTON 16A – 250Vac ½ HP)	P02.RM	1 NO*	1 NO*	230
		SINGLE SPEED	P02.1	NO NO	230	
			P02.2	NO NO NO NO	250	
			P02.4	NO NO NO NO	250	
		(* HIGH POWER CONTACTS DIRECT MOTOR CONTROL 1Kw 1ph	P02.CD	NO (*) NO (*) NO (*) NO (*) NO (*) NO (*)	230	
P02.D2			NO NO NO NO	250		
		SINGLE SPEED	P03.1	NO NO NO	440	
			P03.2	NO NO NO NO NO NO	450	
			P03.3	NO NO NO NO NO NO	460	
		(* HIGH POWER CONTACTS DIRECT MOTOR CONTROL 1Kw 1ph	P03CD	NO (*) NO (*) NO (*) NO (*) NO (*) NO (*) NO (*) NO (*) NO (*)	460	
			P03D2	NO NO NO NO	460	
		SINGLE SPEED	HP03	NO NO NO	330	
		TWO SPEED	HP03.D2	NO NO NO NO	350	
		SINGLE SPEED	DC30	3 NO 3 NO 1 NC 1 NC (*)	600	
			DC30.RG	4 NO 4 NO (*)	600	
		(* 1th 25A EXTRA HIGH POWER CONTACTS BLOCK FOR DIRECT MOTOR CONTROL : 2.2kW 1ph / 4kW 3ph	DC30.GE	3 NO 3 NO 1 NC 1 NC (*)	600	
			DC30D2	(*) 2 NO 2 NO 2 NC 2 NC	650	

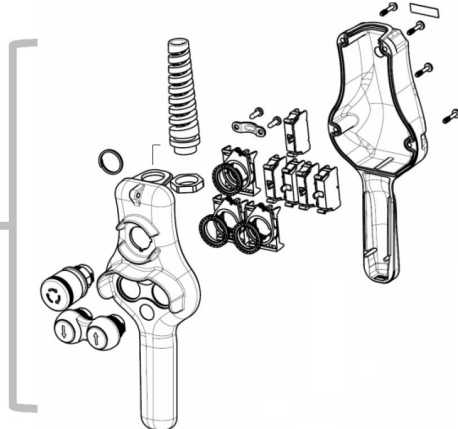
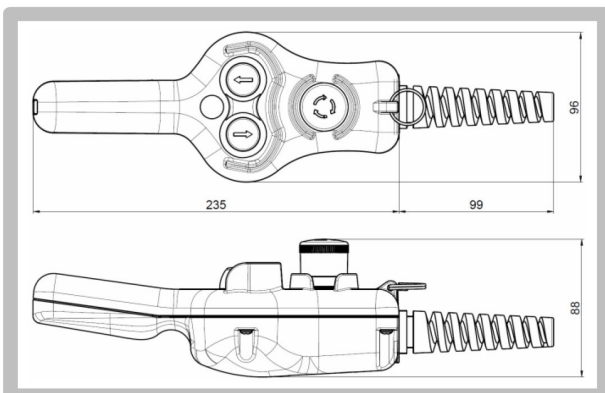
P02



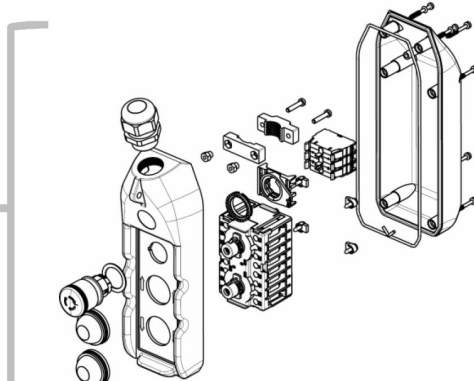
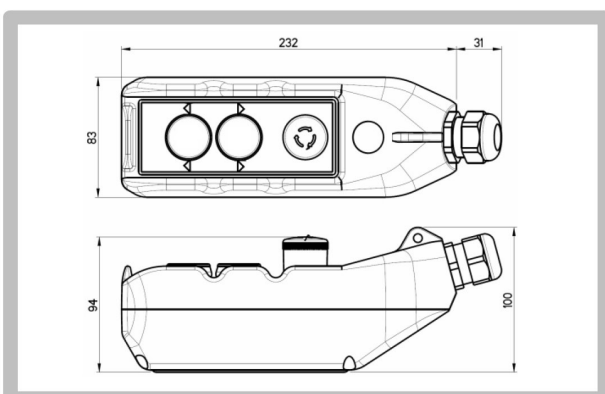
P03






HP03



DC30



General characteristics		P02 – P03 – HP03 – PLN – PLBN – TLP								DC30	
In conformity to standards		IEC / EN60947-5-1								IEC / EN60947-3	
Material		P02	P03	HP03	PL	PLB	TLP				
		PP	ABS	ABS	ABS	ABS	PP	ABS			
Material group		II								II	
Pollution class		3								3	
Climate temperature	operating	-25°C + 70°C								-25°C + 70°C	
	storage	-30°C + 70°C								-30°C + 70°C	
Climate resistance	IEC68 part 2-3	hot damp								hot damp	
	IEC68 part 2-30	unsettled hot damp								unsettled hot damp	
Cable entry		<ul style="list-style-type: none"> ▪ P02 – P03: rubber cable sleeve Ø7...18mm ▪ PL – PLB: rubber cable sleeve Ø9...24mm ▪ HP03: spiral cable gland M20 – TLP: cable gland M20 								cable gland M25	
Electrical characteristics contact blocks		P02 – P03 – HP03 – PLN – PLBN – TLP								DC30	
Markings											
Rated insulation voltage [Ui]		690V								500V	
Rated thermal current [Ith]		16A								25A	
Rated impulse withstand voltage [Uimp]		4kV								4kV	
Frequency		50Hz – 50/60 Hz type PCW (HP03-TLP)								50Hz	
Rated operating current [Ie]											
AC-15 alternate current		(V)	24	60	110	240	400	440	500	690	
	type: PL004.. P02/P03/DC30 e-stop/PLN/PLBN	(A)	16	12	8	6	4	3.5	3	1	-
	type: PCW.. HP03-TLP	(A)	10	8	6	5	4	4	4	2	-
DC-13 direct current		(V)	24	48	60	110	220	250			
	type: PL004.. P02/P03/DC30 e-stop/PL/PLBN	(A)	2	1.2	0.85	0.4	0.25	-			
	type: PCW.. HP03-TLP	(A)	2	2	1	0.4	-	0.4			
AC-3 alternate current	1phase-2poles 230V-400V	-								2.2kW	
	3phase-3poles 230V-400V	-								3kW	
Conditional short circuit withstand current		1000A								1000A	
Fuse rating		gG 10A - 500V								aM 12A - 500V	
Contact insulation resistance		≤ 25mΩ								-	
Switching mechanism	type: PL004.. P02/P03/DC30 e-stop/PLN/PLBN	slow break double gap contacts single pad								slow break double gap contacts single pad	
	type: PCW.. HP03-TLP	slow break double gap contacts three pads									
Positive operation		NC contact block 								-	
Terminal type	type: PL004.. P02/P03/DC30 e-stop/PLN/PLBN	M3.5 screw								M3.5 screw	
	type: PCW.. HP03-TLP	spring cage terminal									
Terminal capacity	type: PL004.. P02/P03/DC30 e-stop/PLN/PLBN	No. 1 or 2 flexible and solid conductor min 1 max 2.5 mm ²								No. 1 or 2 flexible and solid conductor min 1 max 2.5 mm ²	
	type: PCW.. HP03-TLP	No. 1 or 2 flexible and solid conductor min 0.5 max 2.5 mm ²									
UL508 characteristics											
General use		600V ac								16A	-
Designation code (HD) Heavy Duty		A600-Q600								-	

