



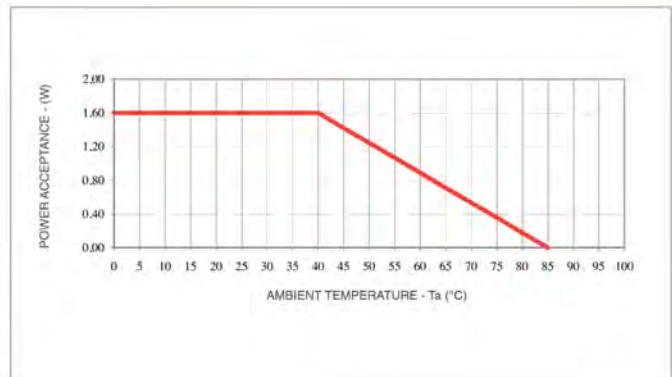
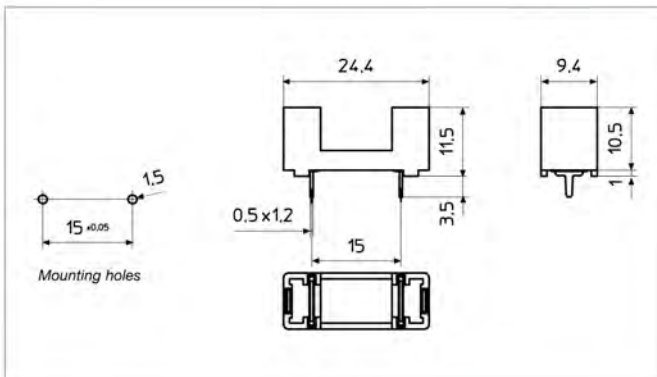
Fuse link	5x20 mm
Mounting	P.C.B.
Rated Current	6.3 A
Rated Voltage	250 VAC
Rated Power Acceptance	1.6 W

Housing	Thermoplastic UL 94 V0
Admissible ambient air temperature	-30 °C to 85 °C
Shocksafe category	PC1
Degree of protection	IP00
Contact Resistance	< 5 mΩ

EN 60127-6

UL 4248-1 + C22.2 no. 4248-1

Rated Current	6.3 A	Rated Current	10 A
Rated Voltage	250 VAC	Rated Voltage	250 VAC
Rated Power Acceptance	1.6 W	Rated Power Acceptance	---



BS232

