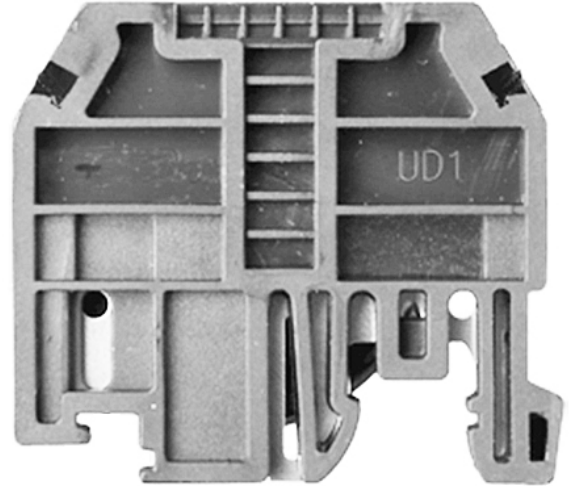


The ASIUD1G is a DIN rail mounted end clamp or stop that is used to hold other components on the DIN rail from moving or sliding. It features a stainless steel spring clip that eliminates screws and allows for quick, easy and firm mounting to the DIN rail.



Specifications

Dimensions:

HxDxW (mm) 47.5 x 9.5 x 38.2

Color Gray

Accessories

Dimensions:

DIN Rail (2 meters)

7.5 x 35 mm Slotted	PR005	1
7.5 x 35 mm Non-Slotted	PR003	1
15 x 35 mm Slotted	PR006	1
15 x 35 mm Non-Slotted	PR007	1