

Motor Reversing Switches Type S with Enclosure-EKIT Rear Panel Mount-PKIT

- ASI P02xxxS-EKIT, P020xxxS-PKIT, ASI C04xxxS-EKIT, C040xxxS-PKIT is a Series of Motor Reversing Drum Switches
- -EKIT IP65 High Impact Thermoplastic Enclosure
- Fwd/Rev and Up/Dwn Labels
- -PKIT Rear Panel Mounted, IP20 Screw Terminals
- Operating Handle
- For use with Single or Three Phase Motors
- Manual Maintained Return
- Momentary Return
- Up to 5 Horsepower for Single Phase Motors
- Up to 20 Horsepower for Three Phase Motors
- cULus Listed
- Ideal for AC Motors in all types of Industrial Applications



Motor Reversing MAINTAINED Switch Selection by Phase/Voltage/Horsepower

Part Number:	Single Phase:		Three Phase:			Mounting Type
	120 Vac	240 Vac	208 Vac	240 Vac	480 Vac	
P0202499S-EKIT	1.5HP Max	2HP Max	-	-	-	Enclosed
C0402499S-EKIT	3HP Max	5HP Max	-	-	-	Enclosed
P0202499S-PKIT	1.5HP Max	2HP Max	-	-	-	Panel
C0402499S-PKIT	3HP Max	5HP Max	-	-	-	Panel
P0202518S-EKIT	-	-	5HP Max	5HP Max	10HP Max	Enclosed
C0402518S-EKIT	-	-	10HP Max	10HP Max	20HP Max	Enclosed
P0202518S-PKIT	-	-	5HP Max	5HP Max	10HP Max	Panel
C0402518S-PKIT	-	-	10HP Max	10HP Max	20HP Max	Panel

Motor Reversing MOMENTARY Switch Selection by Phase/Voltage/Horsepower

Part Number:	Single Phase:		Three Phase:			Mounting Type
	120 Vac	240 Vac	208 Vac	240 Vac	480 Vac	
P0202500S-EKIT	1.5HP Max	2HP Max	-	-	-	Enclosed
C0402500S-EKIT	3HP Max	5HP Max	-	-	-	Enclosed
P0202500S-PKIT	1.5HP Max	2HP Max	-	-	-	Panel
C0402500S-PKIT	3HP Max	5HP Max	-	-	-	Panel
P0202827S-EKIT	-	-	5HP Max	5HP Max	10HP Max	Enclosed
C0402827S-EKIT	-	-	10HP Max	10HP Max	20HP Max	Enclosed
P0202827S-PKIT	-	-	5HP Max	5HP Max	10HP Max	Panel
C0402827S-PKIT	-	-	10HP Max	10HP Max	20HP Max	Panel

Specification:	P020XXXX-EKIT(-PKIT)	C040XXXX-EKIT(-PKIT)
Certification:	cULus Listed Drum Switch	cULus Listed Drum Switch
Voltage (V):	600V	600V
Current (A):	20A	40A
Single Phase:		
Standard Motor Load 120 Vac	1.5HP Max, 20A	3HP Max, 34A
Standard Motor Load 240 Vac	2HP Max, 12A	5HP Max, 32.2A
Three Phase:		
Standard Motor Load 208 Vac	5HP Max, 17.5A	10HP Max, 28A
Standard Motor Load 240 Vac	5HP Max, 12.5A	10HP Max, 27A
Standard Motor Load 480 Vac	10HP Max, 14A	20HP Max, 22A
Wire Range (AWG):	18-10 AWG sol/str	14-6 AWG sol/str
Terminal Screw (M):	M3.5	M4
Torque (lb-in):	7.5 lb-in	12 lb-in
Contacts:	Double Breaking	Double Breaking
Operating Angle (°):	45°	45°
Operating Temperature (°C):	-40°C to +85°C	-40°C to +85°C
Storage Temperature (°C):	-40°C to +70°C	-40°C to +70°C
Mechanical Life @ 120 Operations per Hour	1,000,000 Cycles	1,000,000 Cycles
Electrical Life @ 120 Operations per Hour	750,000 Cycles	750,000 Cycles

Single Phase

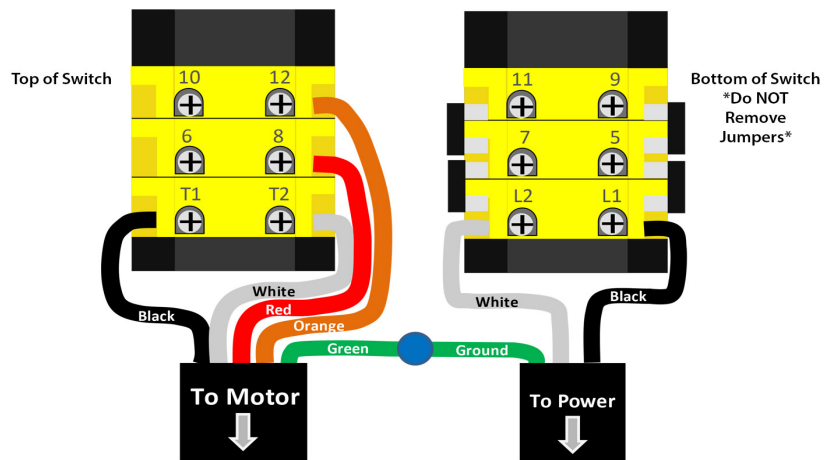
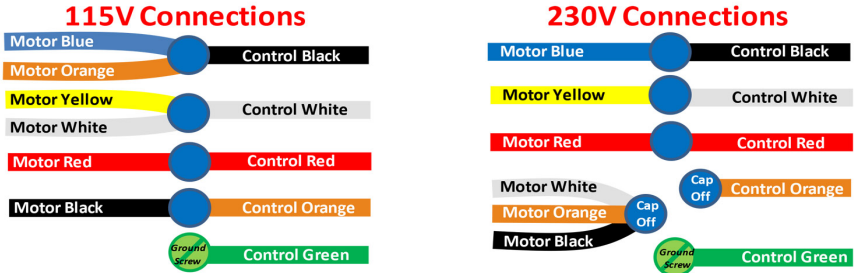
Wire-to-Wire (Color Coded)

Our diagrams show a 5-wire cable consisting of Black, White, Red, Orange, and Green, which is standard throughout most of the industry. You may need to consult your motor wiring diagram.

To reverse motor direction, interchange Motor Red and Motor Black wires.

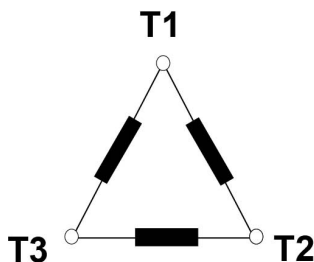
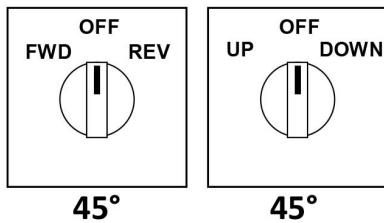
If you are unsure about wiring this switch, please consult an electrician.

YouTube Video - <https://youtu.be/qlhprkuCPKc>

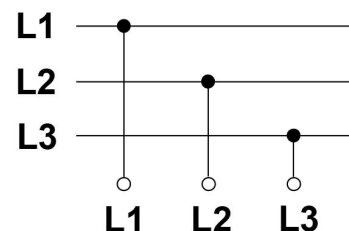
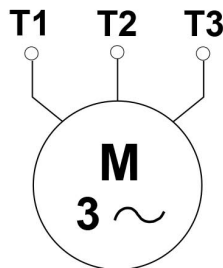
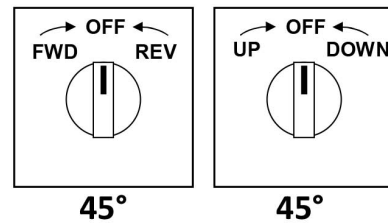


3 Phase

MAINTAINED

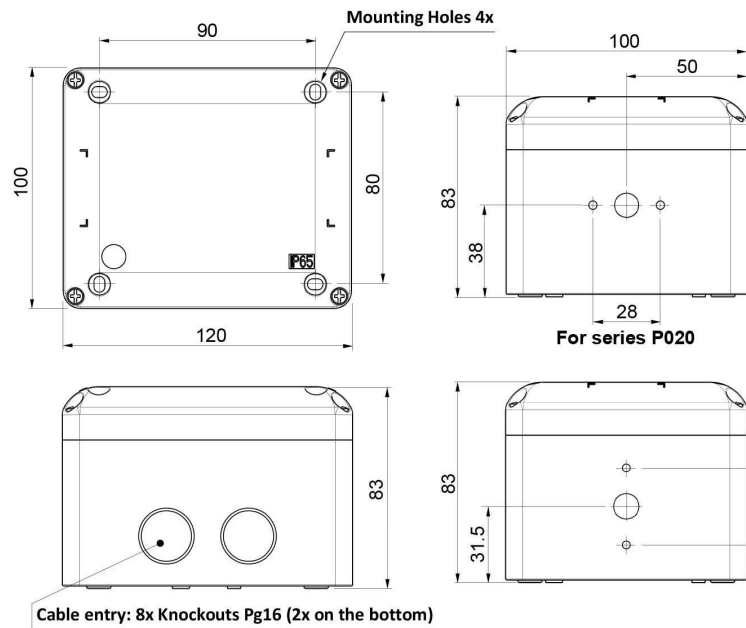


MOMENTARY

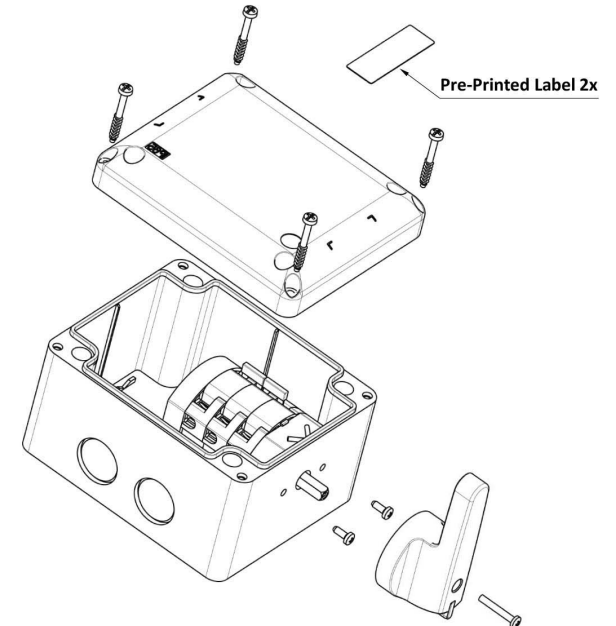
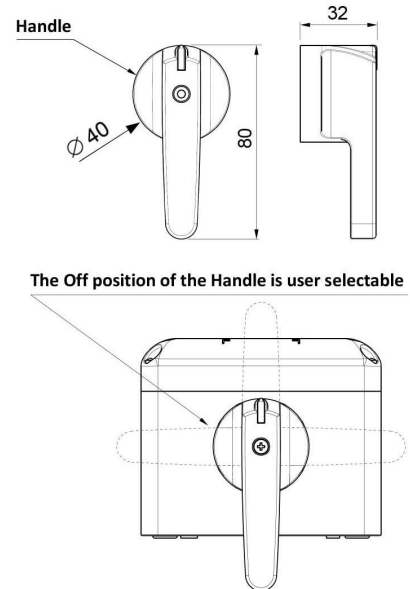


MOTOR REVERSING SWITCH

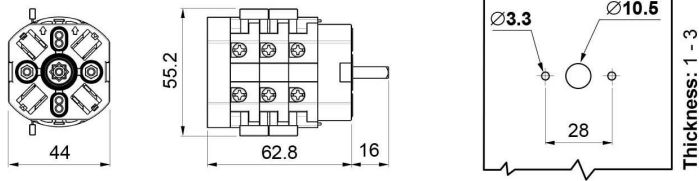
Dimensions [mm], Drilling Plan and Installation Instructions



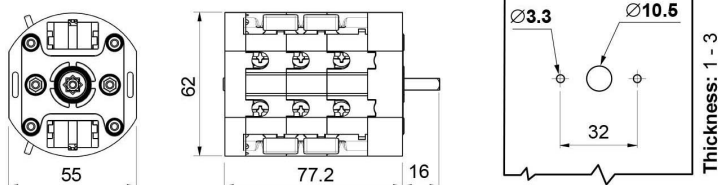
With Enclosure



Series P020



Series C040



Panel Mounting

