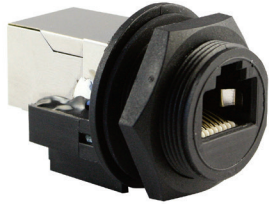


RJ45 Female Panel Mount Straight

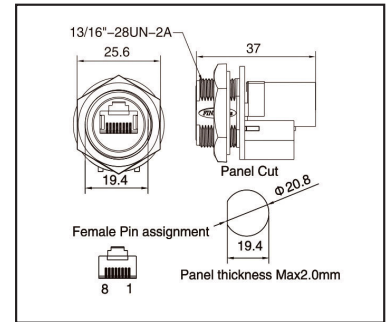
Part No.: ASICPICRJ45S



- Connector series: RJ45
- Gender: Female
- Locking type: Fix screw
- Mounting type: Front mount
- Shielded

General Information

Ambient temperature:	-20 °C ~ + 80 °C
Connector insert:	PBT+GF
Connector contacts:	Phosphor bronze with gold plated
Coupling nut/screw:	PA+GF
Seal / O-ring:	FKM
Insulation resistance:	≥ 100MΩ
Forward resistance :	≤ 30mΩ
IP rating:	IP 67, NEMA 6, 6P (with cap)



Electrical Data & Mechanical Data

Contacts	Rated current	Voltage	
		A/C	D/C
RJ45 8P8C female	1.5A	125V	125V

RJ45 Female Panel Mount Right Angle

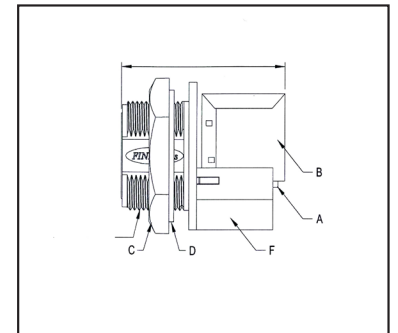
Part No.: ASICPICRJ45RA



- Connector series: RJ45
- Gender: Female
- Locking type: Fix screw
- Mounting type: Front mount
- Shielded

General Information

Ambient temperature:	-20 °C ~ + 80 °C
Connector insert:	PBT+GF
Connector contacts:	Phosphor bronze with gold plated
Coupling nut/screw:	PA+GF
Seal / O-ring:	FKM
Insulation resistance:	≥ 100MΩ
Forward resistance :	≤ 30mΩ
IP rating:	IP 67, NEMA 6, 6P (with cap)



USB2.0 Female Panel Mount

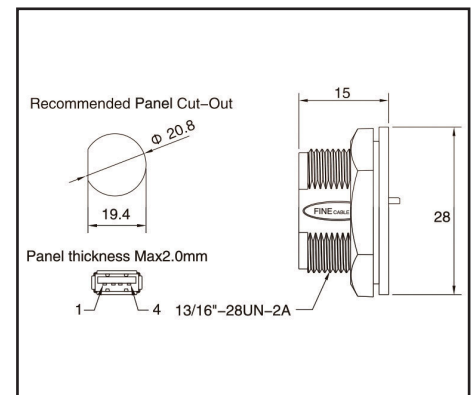
Part No.: ASICPICUSB2.0AS



- Connector series: USB 2.0
- Gender: Female
- Locking type: Fix screw
- Mounting type: Front mount
- Shielded
- Pigtail connection available upon request for MOQ of 100 units or more.

General Information

Ambient temperature:	-20 °C ~ + 80 °C
Connector insert:	PBT+GF
Connector contacts:	Phosphor bronze with gold plated
Connector body:	PA+GF
Coupling nut/screw:	PA+GF
Seal-ring:	FKM
Insulation resistance:	≥ 100MΩ
Forward resistance :	≤ 30mΩ
IP rating:	IP 67, NEMA 6, 6P (with cap)



Electrical Data & Mechanical Data

Contacts	Contacts	Rated current	Voltage	
			A/C	D/C
USB2.0 A Type female	Solder version	1.5A	30V	30V

USB/RJ45 Protection Cap

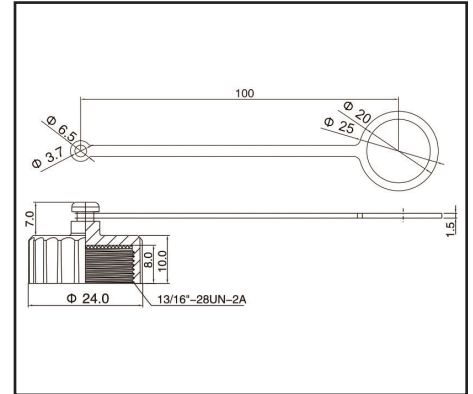
Part No.: ASICPICPC

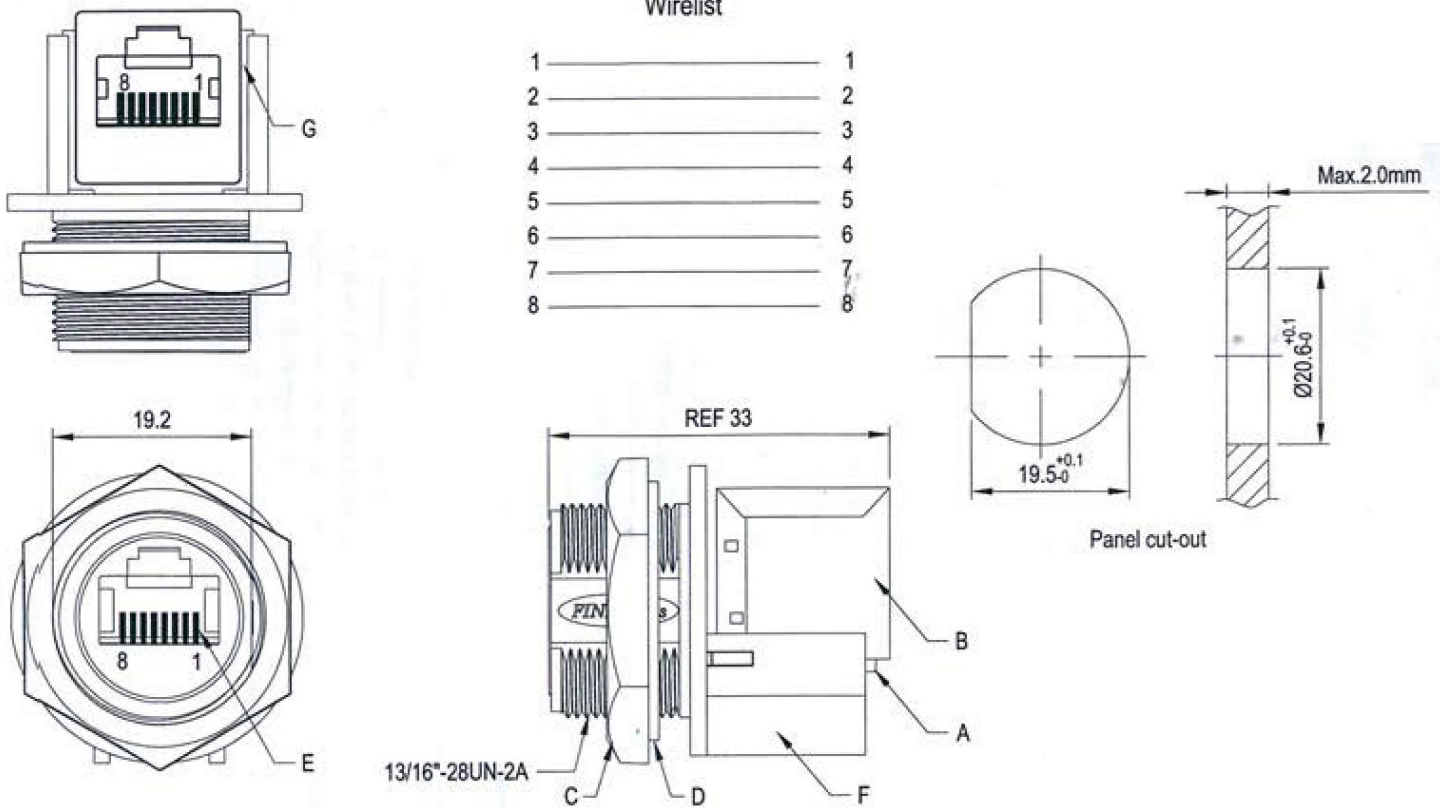


- Connector series: USB/RJ45
- Locking type: Quick lock

■ General Information

Material:	PA+GF
O-ring:	FKM
Loop:	TPU
Color:	Black





G	Resin	Black epoxy resin	g	3	
F	Hous.	RJ45 8P8C female housing	pcs	1	
E	Hous.	RJ45 female housing with terminal	pcs	1	
D	Gasket	Black rubber gasket	pcs	1	
C	Nut	13/16"-28UN-2A hex nut	pcs	1	
B	Conn.	RJ45 8P8C female connector	pcs	1	
A	PCB	RJ45 8P8C female PCB	pcs	1	
No.	Materials.No	Name	Description	Unit	Qty