




Type	Description
<b>NDM3EU-255-3300-100A</b>	100 Amp Molded Case Circuit Breaker, 65kA at 240Vac, 35kA at 480Vac
<b>NDM3EU-255-3300-110A</b>	110 Amp Molded Case Circuit Breaker, UL489, 65kA at 240Vac, 35kA at 480Vac
<b>NDM3EU-255-3300-125A</b>	125 Amp Molded Case Circuit Breaker, UL489, 65kA at 240Vac, 35kA at 480Vac
<b>NDM3EU-255-3300-150A</b>	150 Amp Molded Case Circuit Breaker, UL489, 65kA at 240Vac, 35kA at 480Vac
<b>NDM3EU-255-3300-175A</b>	175 Amp Molded Case Circuit Breaker, UL489, 65kA at 240Vac, 35kA at 480Vac
<b>NDM3EU-255-3300-200A</b>	200 Amp Molded Case Circuit Breaker, UL489, 65kA at 240Vac, 35kA at 480Vac
<b>NDM3EU-255-3300-225A</b>	225 Amp Molded Case Circuit Breaker, UL489, 65kA at 240Vac, 35kA at 480Vac
<b>NDM3EU-400L-3300-250A</b>	250 Amp Molded Case Circuit Breaker, UL489, 25kA at 240 Vac, 14kA at 600V
<b>NDM3EU-400L-3300-300A</b>	300 Amp Molded Case Circuit Breaker, UL489, 25kA at 240 Vac, 14kA at 600V
<b>NDM3EU-400L-3300-350A</b>	350 Amp Molded Case Circuit Breaker, UL489, 25kA at 250 Vac, 14kA at 600V
<b>NDM3EU-400L-3300-400A</b>	400 Amp Molded Case Circuit Breaker, UL489, 25kA at 250 Vac, 14kA at 600V
<b>NDM3EU-400M-3300-250A</b>	250 Amp Molded Case Circuit Breaker, UL489, 65kA at 240 Vac, 22kA at 600V
<b>NDM3EU-400M-3300-300A</b>	300 Amp Molded Case Circuit Breaker, UL489, 65kA at 240 Vac, 22kA at 600V
<b>NDM3EU-400M-3300-350A</b>	350 Amp Molded Case Circuit Breaker, UL489, 65kA at 240 Vac, 22kA at 600V
<b>NDM3EU-400M-3300-400A</b>	400 Amp Molded Case Circuit Breaker, UL489, 65kA at 240 Vac, 22kA at 600V

NDM3E  -   /

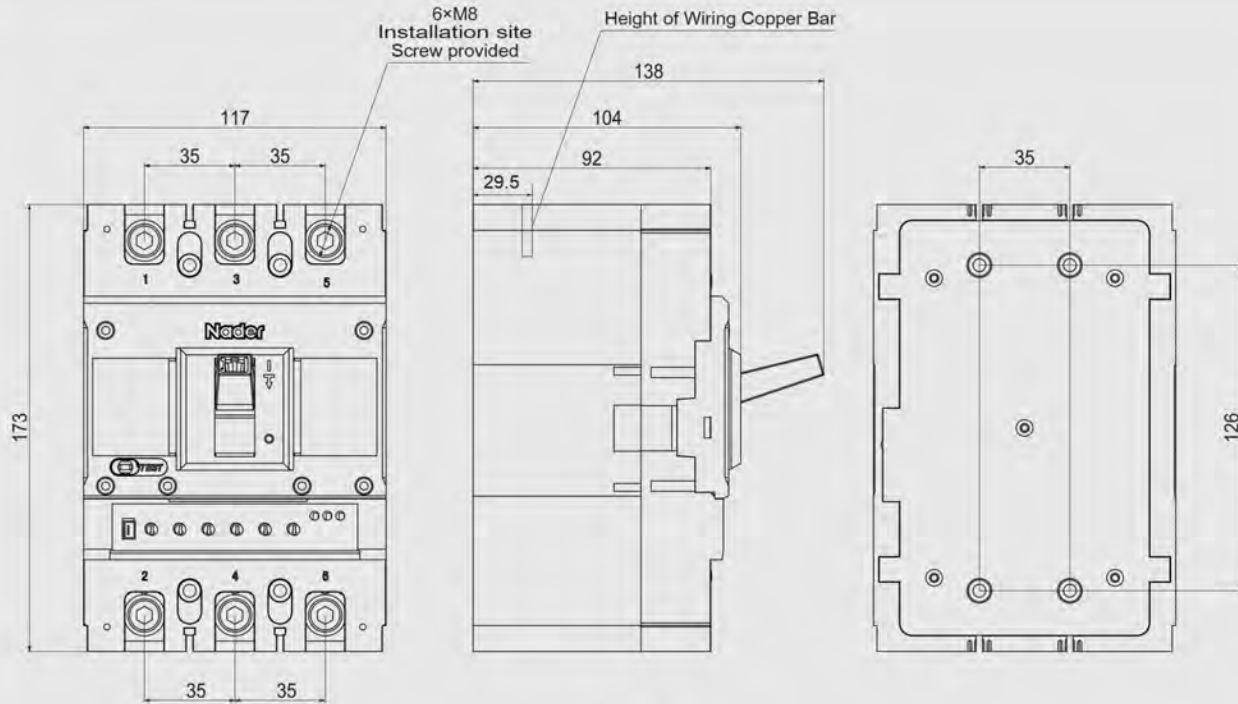
1 2 3 4 5 6 7 8 9 10 11 12 13

Number	Name	NDM3			
1	Code:	ND: <b>Nader</b>			
2	Product Code:	Molded Case Circuit Breaker: MCCB			
3	Design Code:	3			
4	Derivative Code:	E: Electronic type			
5	Certification Code:	U: UL489A, UL486E, UL1998  us			
6	Frame Rating (A):	225 A, 400 A			
7	Breaking Capacity Code:	NDM3EU-225		NDM3EU-400	
		None		L	M
8	Number of Poles:	3: 3P			
9	Type of Code:	3: Electronic			
10	Accessory Code:	None	Shunt Trip: 10	Auxiliary Contact: 20	Shunt Trip + Aux. Contact: 40
11	Terminal Type:	No Code: Normal			
		L: Lug Terminal			
12	Wiring Form Code:	NO Code: Fixed Connection			
		Z2H: Rear Plug-in			
13	Rated Current:	NDM3EU-225		NDM3EU-400	
		100A, 110A, 150A, 175A, 200A, 225A		250A, 300A, 350A, 400A	

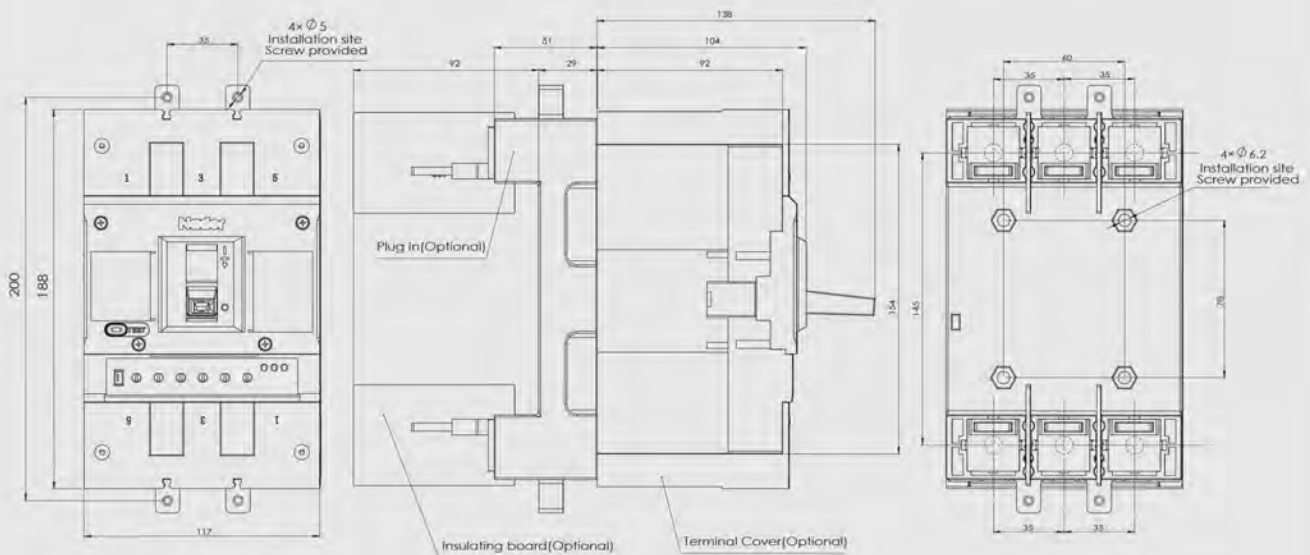
**Note:** "L" of No. 11 and "Z2H" of No. 12 cannot be chosen at the same time.

Environment	Details			
Working Temperature:	-35°C to +70°C			
Salt fog level:	Satisfied 48 Hrs			
Rated Insulation Voltage U <sub>i</sub> :	800V			
Rated Impulse Withstand Voltage U <sub>imp</sub> :	8kV			
Power Frequency Withstand Voltage:	2,200V			
Rated Voltage:	NDM3EU-225		NDM3EU-400	
	240Vac, 480Vac		240Vac, 480Vac, 600Vac	
Interrupting Level:	NDM3EU-225		NDM3EU-400L	NDM3EU-400M
	240Vac	65kA	25kA	65kA
	480Vac	34kA	18kA	35kA
	600Vac	N/A	14kA	22kA
Isolation Function:	Yes			
Mechanical Life:	NDM3EU-225		NDM3EU-400	
	4,000 Cycles		5,000 Cycles	
Electrical Life:	NDM3EU-225		NDM3EU-400	
	4,000 Cycles		1,000 Cycles	
Altitude:	Below 2,000m			
Pollution Level:	3			
Protection Level:	IP20			

## NDM3EU-225

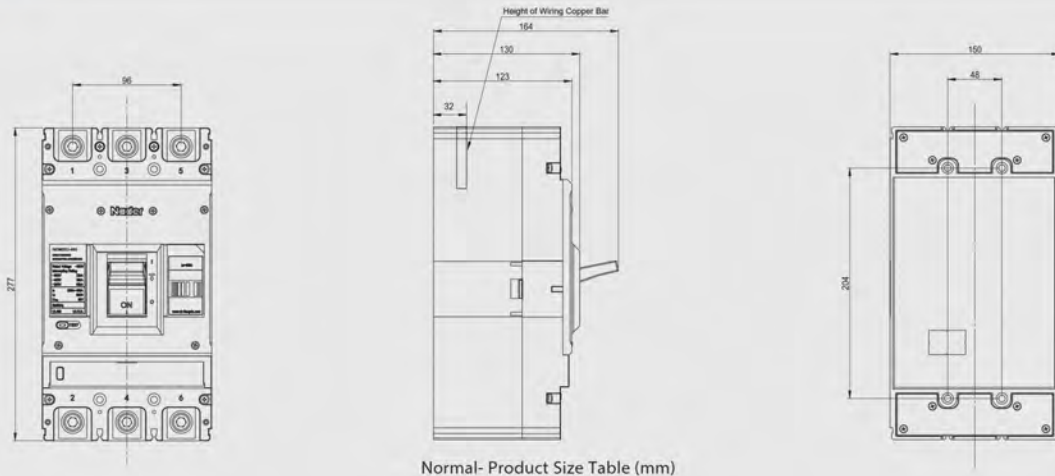


Normal- Product Size Table (mm)

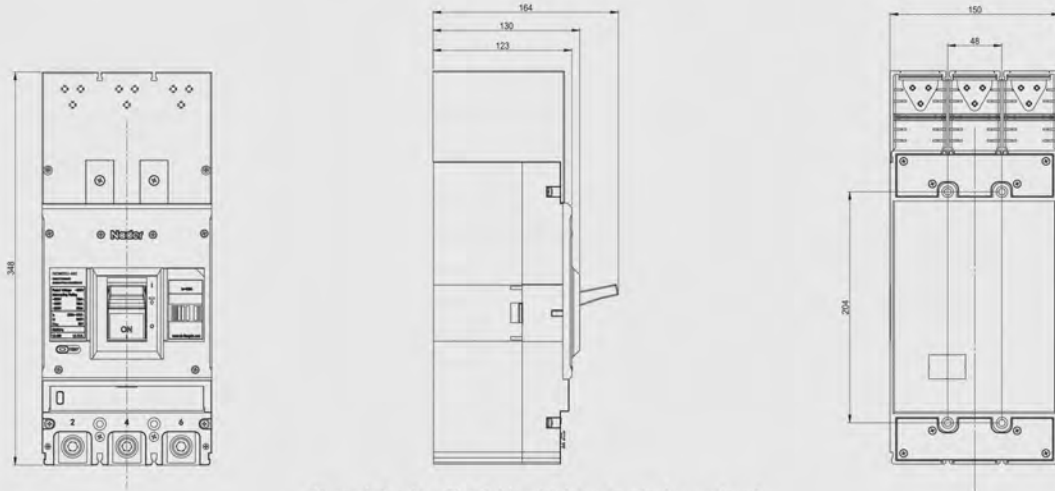


Plug In-Product Size Table (mm)

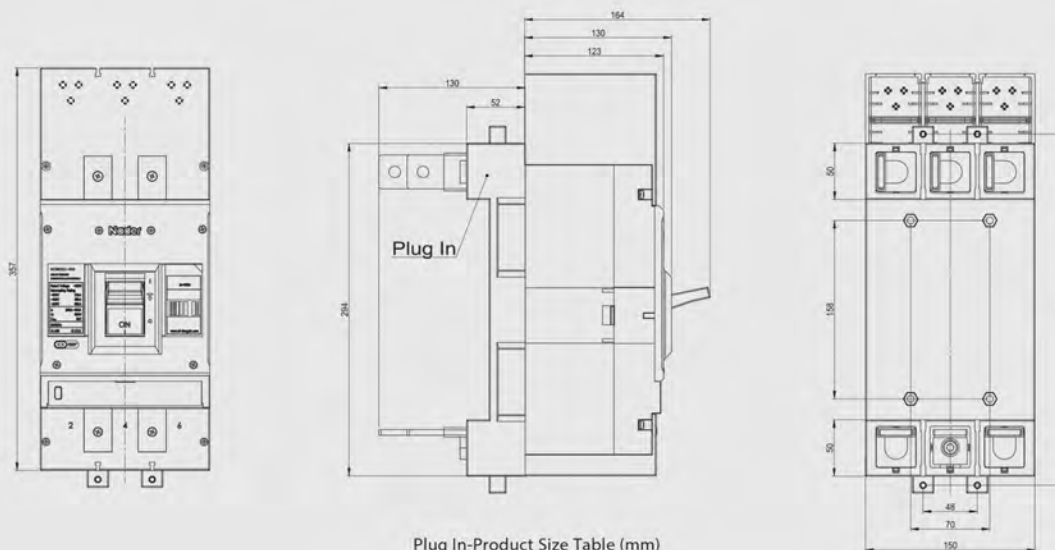
## NDM3EU-400



Normal- Product Size Table (mm)



Normal- Product Size Table with long terminal cover (mm)



Plug In-Product Size Table (mm)