

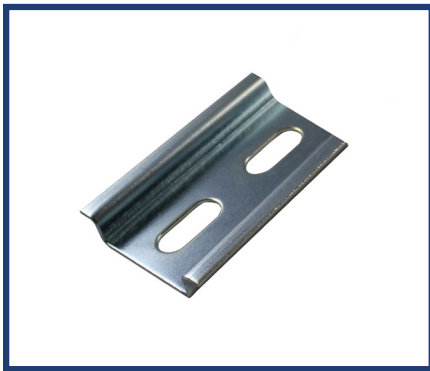
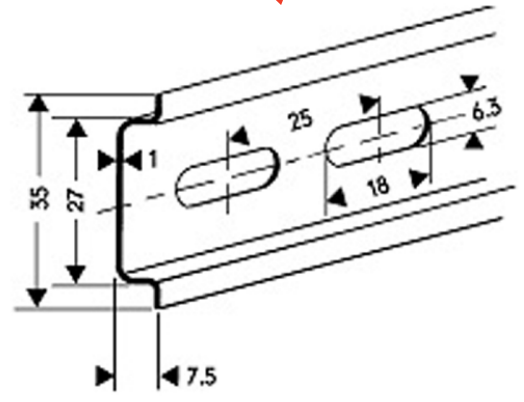


Your Source for Automation Components

# Pre-Cut Din Rail



- RoHs Compliant
- ASI 35 mm Pre-cut DIN rails sizes are available in 2, 4, 6 & 8 inch lengths for convenience
- Slotted rail for easy mounting
- Equivalent to DIN rail by Phoenix Contact®, Allen Bradley®, Weidmuller®, Wago® and many others.
- Custom lengths available upon request
- Save more with convenient 10-packs of DIN rail
- Quality material, IEC 60715/TH35
- All popular din rail sizes available
- We can custom cut and even build DIN rail assemblies (minimum order required).



### PR005-0050MM

35 x 7.5 mm  
2 inch  
Steel Slotted



### PR005-0100MM

35 x 7.5 mm  
4 inch  
Steel Slotted



### PR005-0150MM

35 x 7.5 mm  
6 inch  
Steel Slotted



### PR005-0200MM

35 x 7.5 mm  
8 inch  
Steel Slotted

**Remember to order DIN rail mounting brackets and DIN rail mounting clips. These accessories are just another offering we have for your project.**