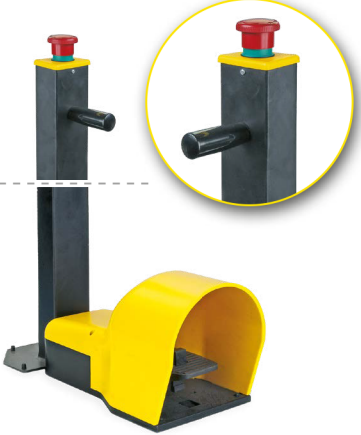
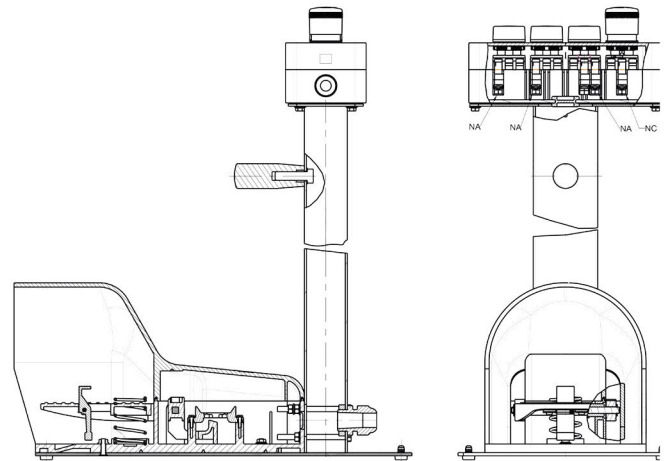




SINGLE FOOT SWITCHES	DESCRIPTION	CONTACTS	CODE	MIN. PACK	WEIGHT
	<b>Foot switch</b> with trigger mechanism and ENI ISO 13850 emergency stop.  Colour: ■ PANTONE 102C	Slow break		Quantity	gr.
		<b>1NO</b>	<b>IP7007EM</b>	<b>1</b>	<b>3.900</b>
		<b>Two speeds 1NO + 1NO</b>	<b>IP7015EM</b>	<b>1</b>	<b>3.910</b>

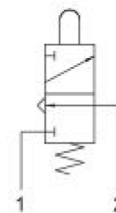
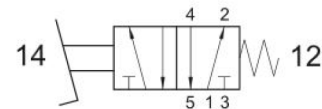
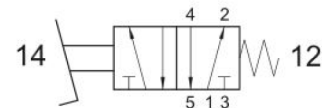


**ON REQUEST**

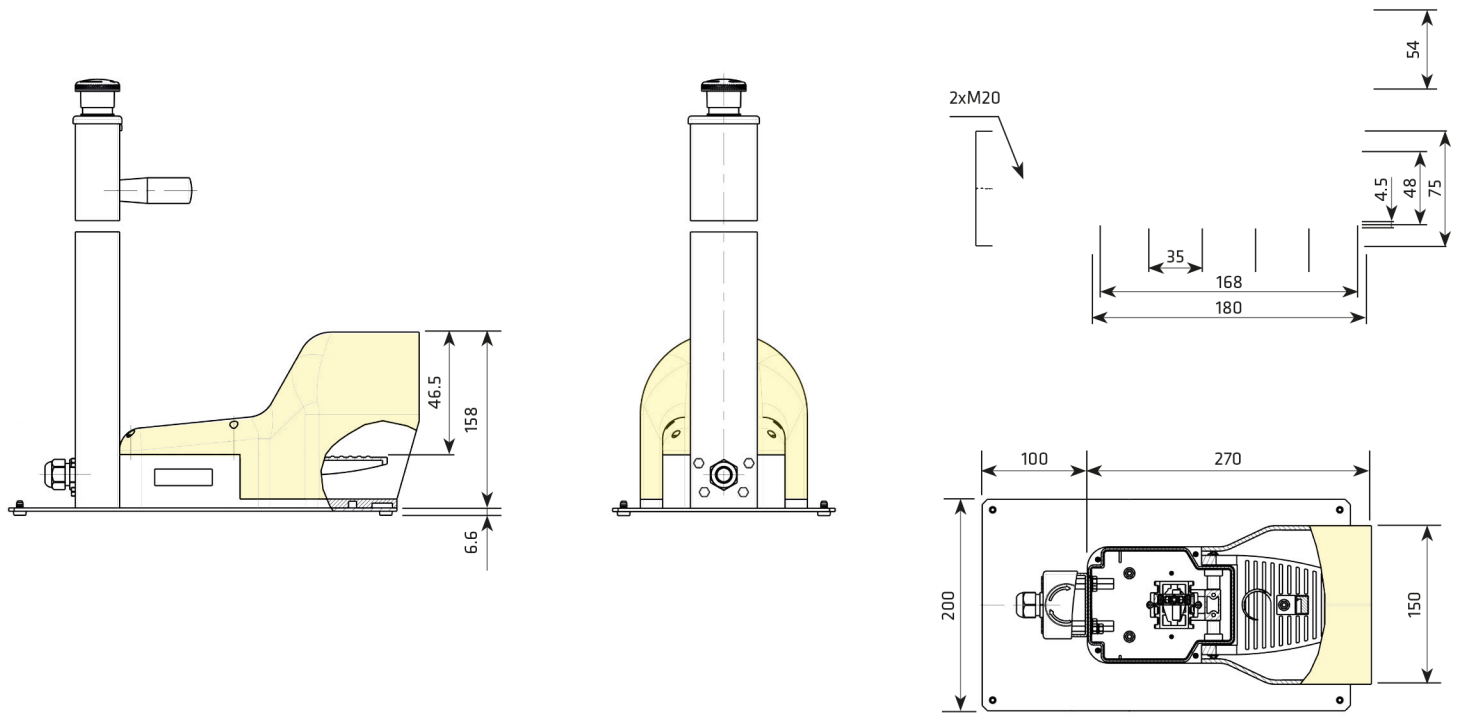
**IP7026** with PQ01 station 4 holes  
with EN ISO 13850 emergency stop.



PNEUMATIC SINGLE FOOT SWITCHES	DESCRIPTION	CONTACTS	CODE	MIN. PACK	WEIGHT
	<b>Foot switch</b> pneumatic with trigger mechanism.  Colour: ■ PANTONE 102C	Slow break		Quantity	gr.
		<b>With 1/4" 5 ways valve</b>	<b>IP7023</b>	<b>1</b>	<b>1.600</b>
	<b>Foot switch</b> Pneumatic with pedal latching device and without trigger mechanism.  Colour: ■ PANTONE 102C	<b>With 1/4" 5 ways valve</b>	<b>IP7024</b>	<b>1</b>	<b>1.600</b>
		<b>With 3/2" ways valve</b>	<b>IP7032</b>	<b>1</b>	<b>1.600</b>



**DIMENSIONAL DRAWINGS**



**DIMENSIONAL DRAWINGS**

