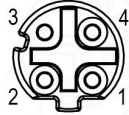
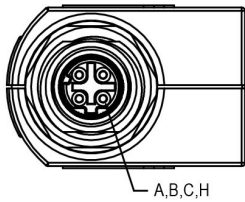
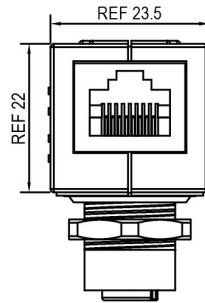
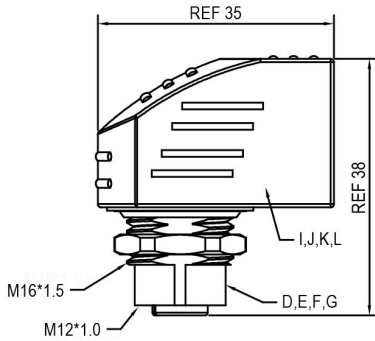
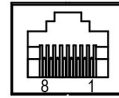


RJ45-M12 Thru Panel Adapter Male D-Coded Right Angle for use with Cat5e Cable ASITPA-4512MD-RA

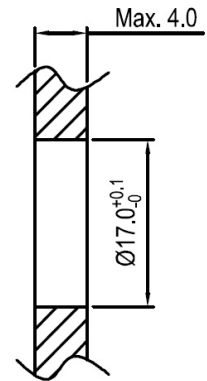


M12 Pin assignment



RJ45 Pin assignment

Letter	Name	Description
	Voltage (V)	150 Vdc
	Current (A)	1.5A
	Operating Temperature (°C)	-25 °C to +80 °C
	IP Rating	M12: IP67
	Weight (g):	27.4g
A	M12 Connector	M12 4P D-coding black, male
B	Pins	Gold plated Brass
C	O-Ring	Black rubber
D	Thread	M12/M16 Nickel plated Brass
E	Resin	Black Epoxy
F	Ring	Black rubber
G	Nut	M16x1.5, Nickel plated Brass, Size: 18 x 3 mm
H	PCB	PCB L x W=30 x 20 mm
I	RJ45 Connector	RJ45 with shielding
J	Lower Cover	Black Nylon
K	Upper Cover	Black Nylon



Recommended Panel Cut-Out

