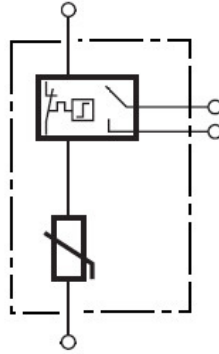


Surge suppressor with thermal protection designed to open in the event of overheating due to the abnormal over-voltage, limited current conditions.



- Quick thermal response and perfect circuit cut-off function due to special thermal disconnecter design with arc extinguishing device
- Wide operating temperature range and high reliability
- High surge current capability
- Low leakage current
- Floating remote signaling contact (50 mA 12 Vdc) for fault indication
- Application in the AC mains, service entrance and heavy industrial etc.
- SCCR 200 kA
- UL 1449 4th Edition Recognized Type 1CA

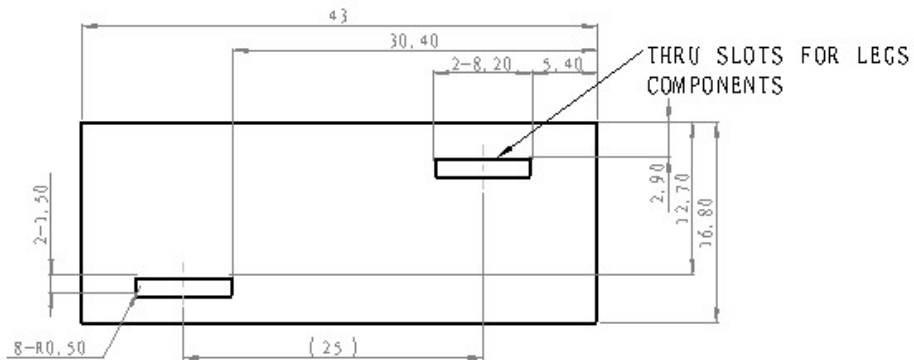
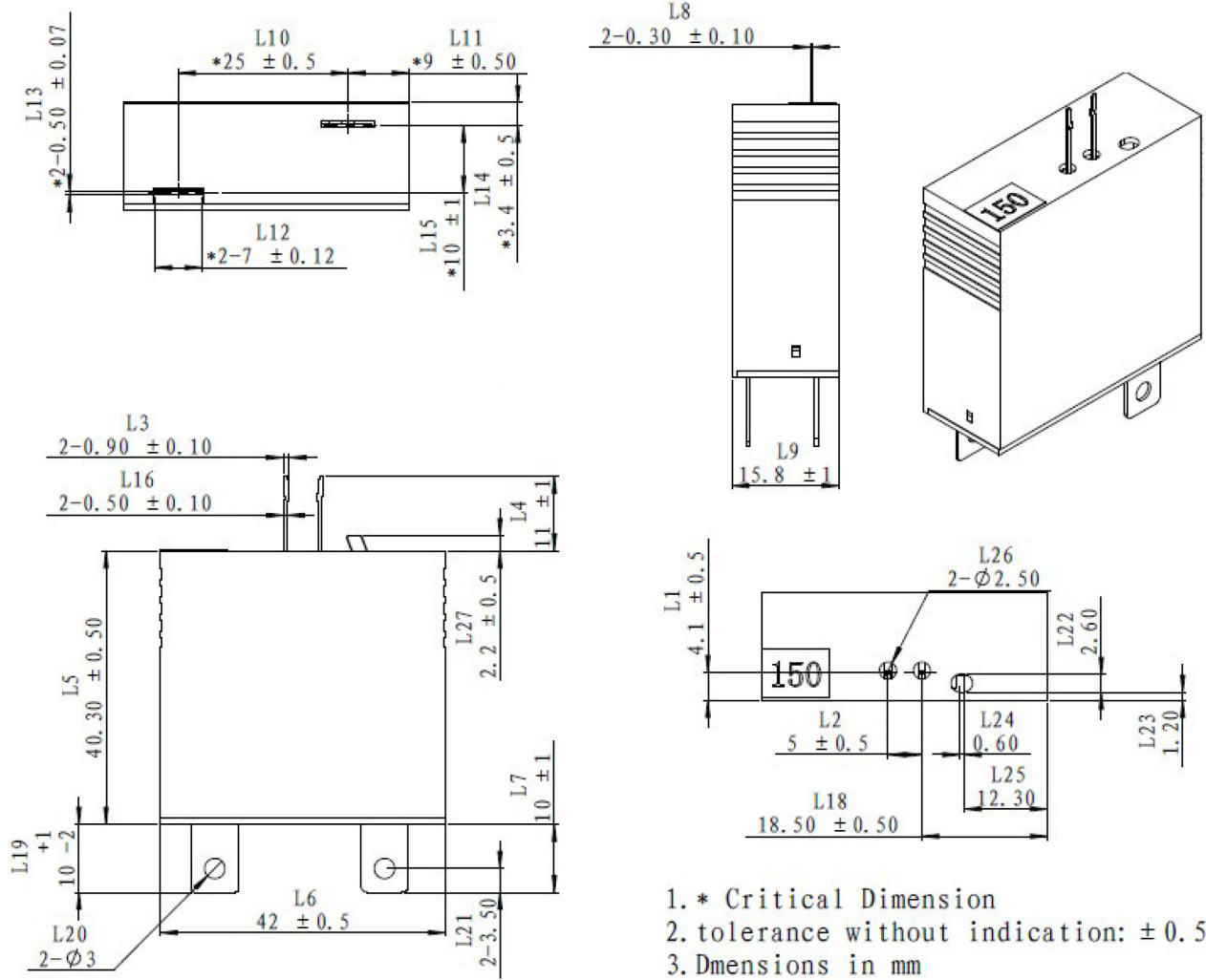
### Technical Data

TYPE	Maximum Continuous		Surge Current		Varistor Voltage @ 1 mA	VPR
	V rms (V)	Vdc (V)	X 1 Time @ 8/20	In 15 Times	V1 mA (V)	
ASISMTMOV150	150	200	50 kA	20 kA	228-270	600 V
ASISMTMOV180	180	230	50 kA	20 kA	250-310	600 V
ASISMTMOV275	275	350	50 kA	20 kA	409-475	800 V
ASISMTMOV320	320	410	50 kA	20 kA	485-563	1000 V
ASISMTMOV420	420	560	50 kA	20 kA	646-748	1500 V
ASISMTMOV550	550	745	50 kA	20 kA	820-1000	1500 V
ASISMTMOV690	690	910	40 kA	20 kA	1000-1250	2000 V

Operating Temperature	-40°C...+85°C
Electric Strength	≥ 2500 V (AC)
Insulation Resistance	≥ 10 MOhm
Response Time	≤ 25 ns



## Dimensions



1. tolerance:  $\pm 0.1\text{mm}$
2. Dimensions in mm