

Panel Interface Connector, Circuit Breaker & Single AC Outlet

ASI RAI-SAC-102-B, RAI-SAC-104-B,
RAI-SAC-107-B, RAI-SAC-109-B

Features:

- UL Recognized outlet and circuit breaker
- IP65 rating with locking dust cover
- Robust aluminum housing

Connector Specifications, Circuit Breaker:

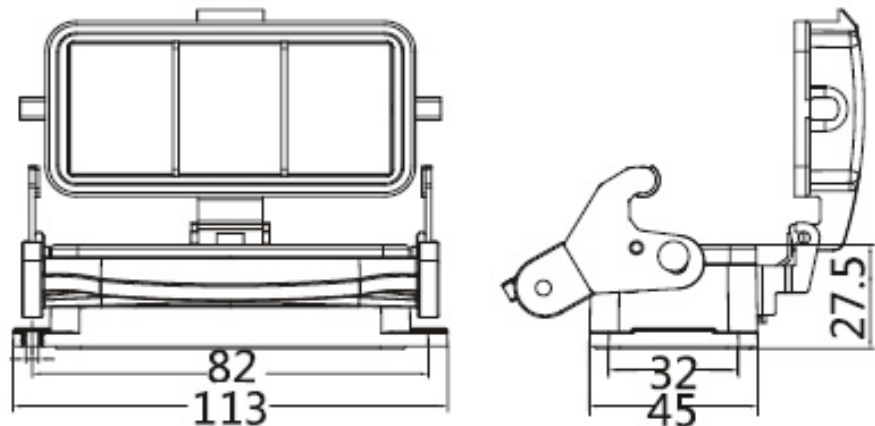
Current Rating: 3,5,10, or 15 Amp
 Trip Curve: AC Medium
 Voltage: 240 Vac

AC Outlet Technical Data:

Ratings UL/CSA: 15 A/125 Vac; 60 Hz
 Allowable
 Operation Temp.: -25 °C to +60 °C
 Material: Housing thermoplastic, black

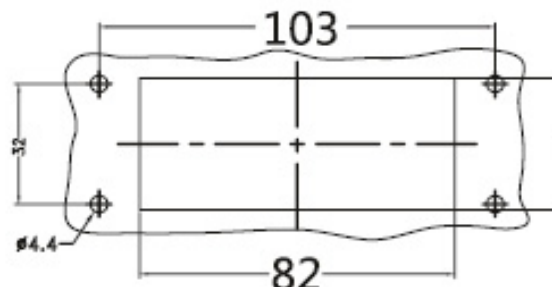


Mounting and Housing Dimensions (mm)



**Other circuit breaker variations are available.*

Call 877-650-5160 to learn more.



Wiring Instructions

3 wire cable:

- Phase (black)
- Neutral (white)
- Ground (green)

Solder the **black** wire to the breaker terminal under the “off” position.

Connect a short **black** wire from the breaker terminal under the “on” position to the outlet terminal under the short slot. Solder both ends.

Solder the **white** wire to the outlet terminal under the long slot.

Solder the **green** wire to the ground (angled) terminal of the outlet.