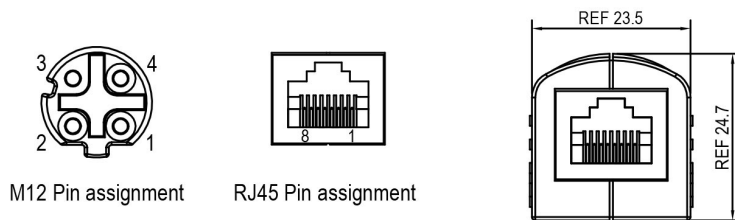
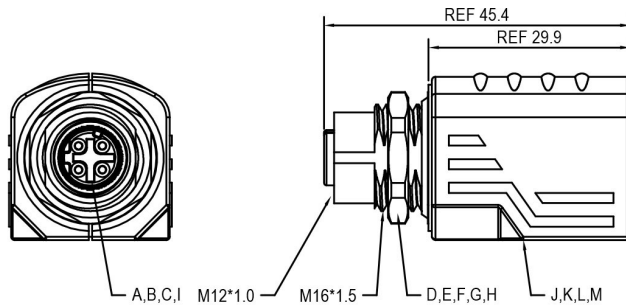
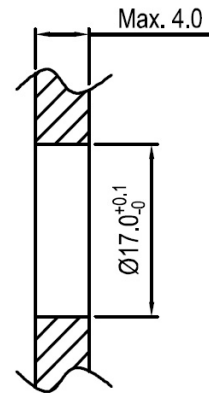


RJ45-M12 Thru Panel Adapter Female D-Coded Straight for use with Cat5e Cable ASITPA-4512FD-S



| Letter | Name | Description |
|--------|----------------------------|---|
| | Voltage (V) | 150 Vdc |
| | Current (A) | 1.5A |
| | Operating Temperature (°C) | -25 °C to +80 °C |
| | IP Rating | M12: IP67 |
| | Weight (g): | 25.8g |
| A | M12 Connector | M12 4P D-coding black, female |
| B | Sockets | Gold plated Brass |
| C | O-Ring | Black rubber |
| D | Wire | UL1061 24AWG |
| E | Thread | M12/M16 Nickel plated Brass |
| F | Resin | Black Epoxy |
| G | Ring | Black rubber |
| H | Nut | M16x1.5, Nickel plated Brass, Size: 18 x 3 mm |
| I | O-Ring | Green rubber |
| J | PCB | PCB L x W=30 x 20 mm |
| K | RJ45 Connector | RJ45 with shielding |
| L | Lower Cover | Black Nylon |
| M | Upper Cover | Black Nylon |



Recommended Panel Cut-Out

