



## COMPLY WITH RULES

IEC 947-3, EN 60947-3, UL508



SERIES		P012-P016-P020 PX12-PX16-PX20		
Protection class	control terminals	control terminals	EN 60529 (UL50) NEMA 4X	
Material group			EN 60947-1	
Pollution grade			EN 60947-1	
Flammability			UL94	
Ambient temperature			°C	
Climate Withstand			IEC 68 part 2-3	
Terminal screw identification			IEC 68 part 2-30	
Connections	Terminal block caliber	Terminal block caliber	EN60947-1	
	Terminal screw	Terminal screw	EN60947-1	
	Screwing torque	Screwing torque	EN60947-1	
			UL508	
Connectable section	Flexible conductors min/max	Flexible conductors min/max	mm <sup>2</sup>	
			AWG	
	Solid conductors min/max	Solid conductors min/max	mm <sup>2</sup>	
			AWG	
Contacts			Double breaking	
Opening angles			30° - 45° - 60° - 90°	
Mechanical lifetime at 120 operations for hour			mil./cl	
Electrical lifetime at 120 operations for hour			mil./cl	
			1	1
			1	0,75
			1	0,75
CERTIFICATIONS		P012 PX12	P016 PX16	P020 PX20
CE	CE mark - Europe	■	■	■
cULus	cUL Listed - USA and Canada	●	●	●
IMQ	IMQ Istituto Marchio Qualità - Italy	●	●	●
CCC	CCC Cina	●	●	●
EAC	EAC Russia	●	●	●

■ Comply to the requirements by passed test. ● Approved.



# Changeover Cam Switches, Type D, DIN Mounting

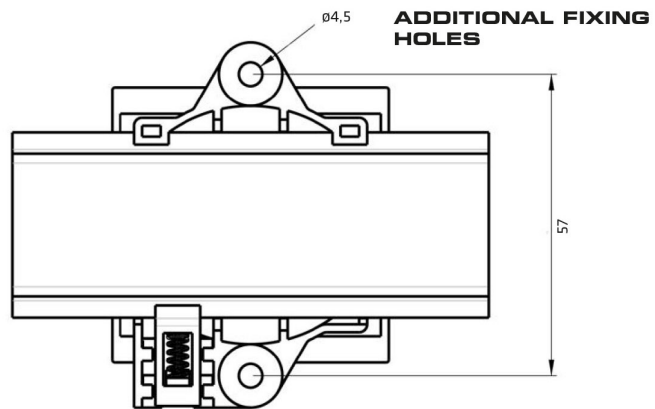
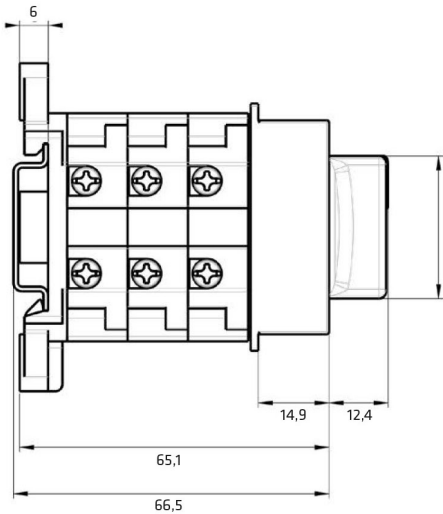
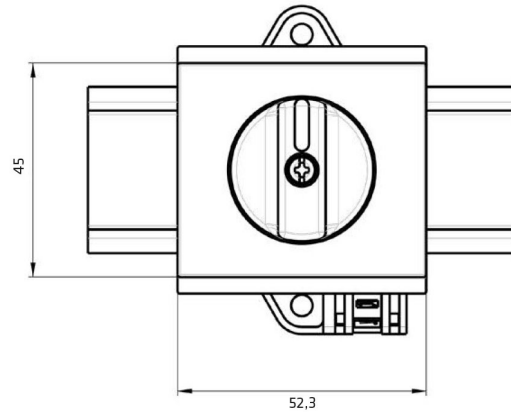
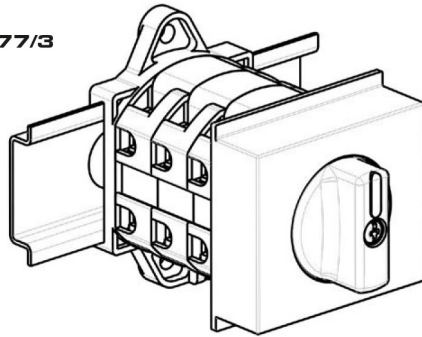
Your Source for Automation Components

EN 60947-3 CHARACTERISTICS				P012 - PX12	P016 - PX16	P020 - PX20
Rated operating voltage Ue	V			690	690	690
Rated insulation voltage Ui	V			690	690	690
Rated impulse withstand voltage Uimp (sectionable)	kV			4	4	4
Rated thermal current Ith	A			16	20	25
Rated thermal current in enclosed Ithe	A			12	16	20
Frequency	Hz			50/60	50/60	50/60
RATED OPERATING CURRENT Ie: alternate current				P012 - PX12	P016 - PX16	P020 - PX20
AC-21A Switching resistive loads with light overloads	690V	A		12	16	20
AC-22A Switching mixed resistive and inductive loads at light overloads	690V	A		12	16	20
AC-23A Periodic switching of motors	single phase - 1 pole	110V	A/kW	12/1,1	14/1,5	18/2
		230V	A/kW	12/2,2	14/3	18/4
	3 phases - 3 poles	230V	A/kW	10/3	14/4	16/5
		400V	A/kW	10/5,5	14/7,5	16/9
		500V	A/kW	10/7,5	14/10	16/11
AC3 Starting of cage motors (interruption hile running)	single phase - 2 poles	110V	A/kW	10/0,75	12/1,1	16/1,5
		230V	A/kW	10/2	12/2,2	16/3,5
	3 phases - 3 poles	230V	A/kW	8/2,2	10/3	12/4
		400V	A/kW	8/4	10/5	12/6
		500V	A/kW	8/5,5	10/7,5	12/8
Nominal interruption power AC-23A (cosφ 0,45)		230V	A	80	104	128
		400V	A	80	104	128
		500V	A	80	112	128
		690V	A	80	112	128
Power dissipation for each pole	W			0,3*	0,35*	0,4*
RATED OPERATING CURRENT Ie: direct current				P012 - PX12	P016 - PX16	P020 - PX20
DC-21A Switching resistive loads with light overloads	50V (1 phase)	A		10	12	16
DC-22A Switching mixed resistive and inductive loads at light overloads	30V (1 phase)	A		8	10	12
SHORT CIRCUIT CHARACTERISTICS				P012 - PX12	P016 - PX16	P020 - PX20
Rated short-time short circuit withstand current Icw (1 s)	A			300	300	300
Rated short circuit making capacity Icm	A			1200	1200	1200
Conditional rated short circuit withstand current	kA			5	5	5
Fuse rating gG	690V	A		20	20	20
UL 508 CHARACTERISTICS				P012 - PX12	P016 - PX16	P020 - PX20
General Use	600V AC	A		12	16	20
Standard motor load	single phase - 2 poles	120V AC	HP (FLA)	0,5 (9,8)	1 (16)	1,5 (20)
		240V AC	HP (FLA)	1 (8)	1,5 (10)	2 (12)
	3 phases - 3 poles	200V AC	HP (FLA)	1,5 (6,9)	3 (11,04)	5 (17,5)
		240V AC	HP (FLA)	3 (9,6)	5 (15,2)	5 (15,2)
		480V AC	HP (FLA)	5 (7,6)	7,5 (11)	10 (14)
		600V AC	HP (FLA)	5 (6,1)	7,5 (9)	10 (11)

▼ Values not reported on the IMQ files. ■ Fuses type gG 40a 500V ▲ Fuses type gG/Gm

| RANGE AC21A | 12A - 16A - 20A |

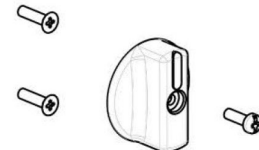
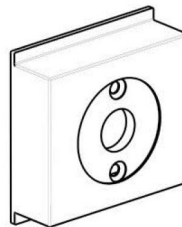
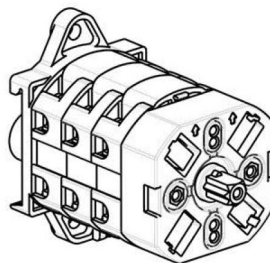
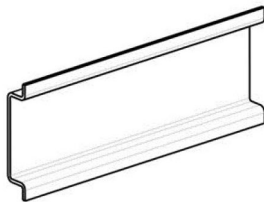
DIN EN46277/3



STEADY Length  
3 WAFERS



DIN RAIL SNAP-ON MOUNTING  
EN46277/3





12-16-20A



45°



1	3-4		X
	1-2	X	
WAF:	CONT:	1 0 2	



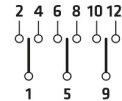
45°



2	7-8		X
	5-6	X	
1	3-4		X
	1-2	X	
WAF:	CONT:	1 0 2	



45°



3	11-12		X
	9-10	X	
2	7-8		X
	5-6	X	
1	3-4		X
	1-2	X	
WAF:	CONT:	1 0 2	

SERIES	AC21A	1 POLE	2 POLES	3 POLES
P012	12A	PO120008D	PO120009D	PO120010D
P016	16A	PO160008D	PO160009D	PO160010D
P020	20A	PO200008D	PO200009D	PO200010D

**ACTUATOR**

**P012 - P016 - P020**



**45°**

027/0008