

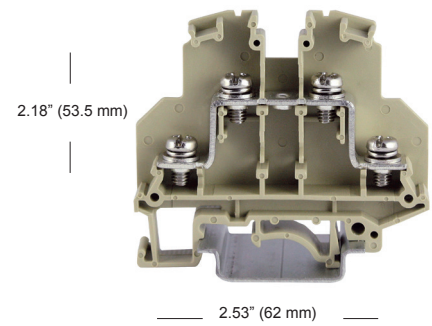
Ring Lug 4 Connection Terminal Block

Conectores para Terminal Ojal

The ASIST series of DIN rail mounted terminal blocks is a complete family of modular terminal blocks ranging in size from 1.5mm to 25mm for feed-through wiring. Also included are double level blocks to save space in the panel, multiple connection blocks to reduce wire and terminal block jumpers, fuse blocks and a sliding link block for control transformer and other electrical circuits. The ASIST series is ideal for industries such as electric utilities, switchgear and electrical panel manufacturers and others that require a ring tongue terminal on the wire to insure a secure connection.


The ASIST series of ring lug terminal blocks has more features than competing terminal blocks and are made of higher quality materials, such as UL94V0 polyamide housings. Features include:

- ▶ Screw accepts both slotted and Phillips head screwdriver.
- ▶ Screw is nickel plated to insure better corrosion protection.
- ▶ Flat and locking washers are standard and provide better contact to terminal and locks terminal in place.
- ▶ Terminal blocks accept a jumper internally for connecting adjacent terminal blocks.
- ▶ Current carrying bar is over 75% bigger than the competition to insure maximum current handling capability.
- ▶ Housing material rated at UL94V0.
- ▶ Large marking strips provide easy labeling and they snap onto the blocks in strips of 10 to save time.
- ▶ Double level and multiple connection blocks are available.
- ▶ Fuse blocks are available.
- ▶ Sliding link disconnect blocks are available.



Terminal width .38" (9.2 mm)
Terminal espesor

ASIST5-4T

SPECIFICATIONS			WIRE RANGE Sección Transversal	CURRENT (A) Corriente	VOLTAGE (V) Tensión
			20 - 10 AWG	30	600
Screw Size / Rosca			M4		
Tightening Torque / Par de apriete			13.5-15.5 Lb In.		
Ordering Information			CATALOG No.	Pcs/PKG	
Terminal block, standard Beige/Bege			ASI271012	50	
Accessories / Accesorios			CATALOG No.	Pcs/PKG	
End Cover / Tapa Beige/Bege			ASI272005	25	
Circuit bridges, pre-assembled internal bridge Puentes conectores			ASI273004	25	
			ASI273005	25	
			ASI273006	10	
Marker System, strip of 10 blank markers			ASI274004	25	
1-10 Horizontal			ASI274005	25	
1-10 Vertical			ASI274006	25	
			ASI434013H	10	
			ASI434014V	10	
End Stop / Tope Final Universal (tool-less) 35mm rail only			ASIUD1B	25	
Assembly Marker (mounts on End Stop)			ASIUKJBJ	10	
Mounting Rail / Rieles, slotted symmetrical 35mm x 7.5mm – 2 meter 1 meter			PR005	1	
			PR005-1M	1	
DIN Rail Cutter			ASI305001	1	
Crimp Tool					
Ring Lugs	22-16 AWG 16-14 AWG 14-12 AWG 12-10 AWG	Red Blue Black Yellow	RVS5.5-4	100	
			RV3.5-4	100	
			RVS2-4	100	
			RVL1.25-4	100	
Fork Lugs	22-16 AWG 16-14 AWG 14-12 AWG	Red Blue Black	SVM1.25-4	100	
			SVM2-4	100	
			SV3.5-4	100	