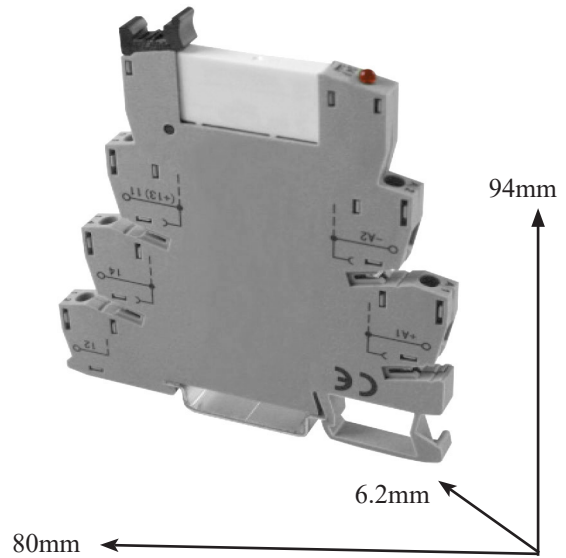


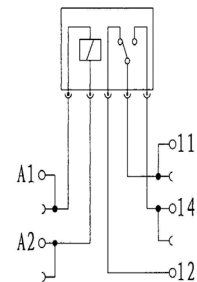
- Pluggable SPDT relay with DIN rail mount screw clamp terminal block base
- Space saving 6mm wide terminal block base
- Pluggable relay for easy replacement
- Plug-in Jumpers to easily connect common inputs and outputs
- Inductive kickback protection
- Circuit diagram on housing
- LED status display and protection diodes



| Ordering Information | | Input Technical Data - Coil | |
|----------------------|------------------------|-----------------------------|-----------------------|
| Order Number | Type | Nominal Coil Voltage | Nominal Input Current |
| ASI328005 | ASI-UDK-PLC-RI60VDC | 60Vdc±10% | 3.5mA |
| ASI328007 | ASI-UDK-PLC-RI120VACDC | 120Vac/dc±10% | 3.2mA |
| ASI328010 | ASI-UDK-PLC-RI230VACDC | 230Vac/dc±10% | 3.2mA |

| Input Technical Data - Coil | |
|------------------------------------|---------------------|
| Operate Time (at Nominal Volt) | 8ms |
| Release Time (at Nominal Volt) | 4ms |
| Output Technical Data -Contact | |
| Type and Material | AgSnO |
| Rating Current (Resistive Load) | 6A/250Vac, 6A/30Vdc |
| General Technical Data | |
| Operating Temperature | "-40°...+70°C" |
| Coil/Contact Isolation | 4000Vac |
| Isolation between Output Terminals | 1000Vac |
| Status Display | Red LED |
| Connection Terminals | 26-14AWG |
| Accessories | |
| Plug-in jumper Blue, 500mm | ASI318002 |
| Plug-in jumper Red, 500mm | ASI318001 |
| Plug-in jumper Gray, 500mm | ASI318003 |
| End Stop (snap-on) | ASIUD1B |
| DIN Rail - 7.5 x 35mm slotted | PR005 |
| DIN Rail - 7.5 x 35mm non-slotted | PR003 |

UDK-PLC-RI-DC



UDK-PLC-RI-ACDC

