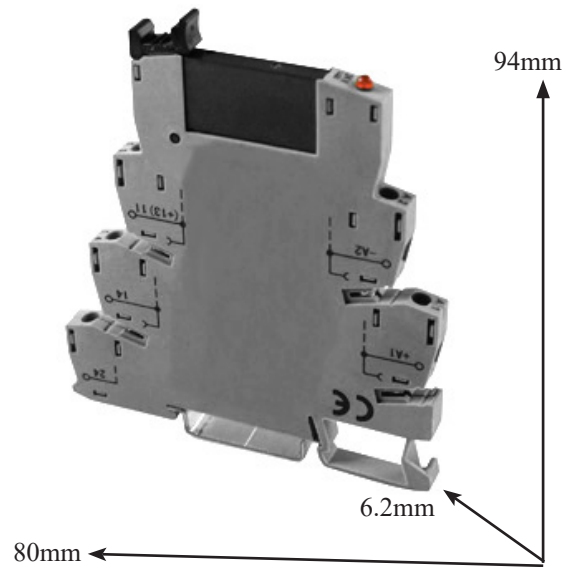


- Solid State Pluggable relay with locking ejector for easy replacement
- Push in jumpers available
- LED status indication
- Circuit diagram on housing



Ordering Information		Input Technical Data	
Order Number	Type	Nominal Voltage	Input Current
ASI317002	ASI-UDK-PLC-O12VDC	12Vdc±10%	≤10mA
ASI317003	ASI-UDK-PLC-O24VDC	24Vdc±10%	≤9mA
ASI317004	ASI-UDK-PLC-O24VACDC	24Vac/dc±10%	≤10mA
ASI317005	ASI-UDK-PLC-O48VDC	48Vdc±10%	≤9mA
ASI317006	ASI-UDK-PLC-O60VDC	60Vdc±10%	≤4mA
ASI317007	ASI-UDK-PLC-O120VACDC	120Vac/dc±10%	≤4mA
ASI317009	ASI-UDK-PLC-O230VACDC	230Vac/dc±10%	≤4mA

Technical Parameters	
Output Voltage	5-48Vdc
Output Current	100mA
Minimum Output Current	50µA
Turn-off Time	≤100µs
Maximum voltage drop loads	≤1V

Insulation Parameters	
Rated impulse voltage	4KV
Overvoltage category	III
Clearance Creepage distance	≥3mm
Pollution Degree	2
Wire cross-section (US)	26-14AWG
Wire dimensions	0.14mm ² - 2.5mm ²

