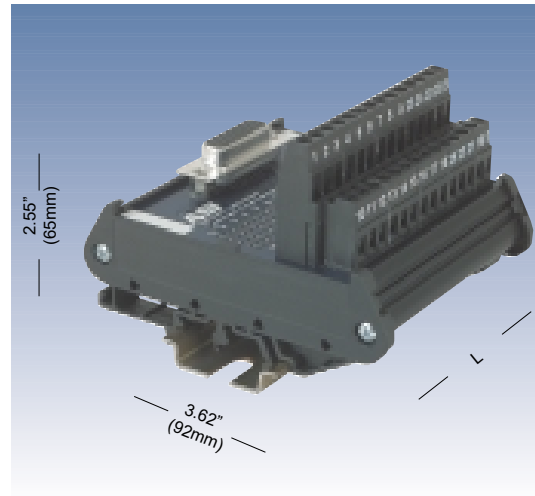


High Density D-SUB Series

The IMHD series provides a transition from standard multi-pin high density D-SUB connector to individually wired terminal blocks. Modules are available in 15 to 44 pin versions with male and female D-SUB connectors. Connectors are equipped with threaded locking inserts to ensure cables are secured to the module.

The IMDS series is also equipped with a series of plated through holes to allow for addition of electronic components in the circuit.



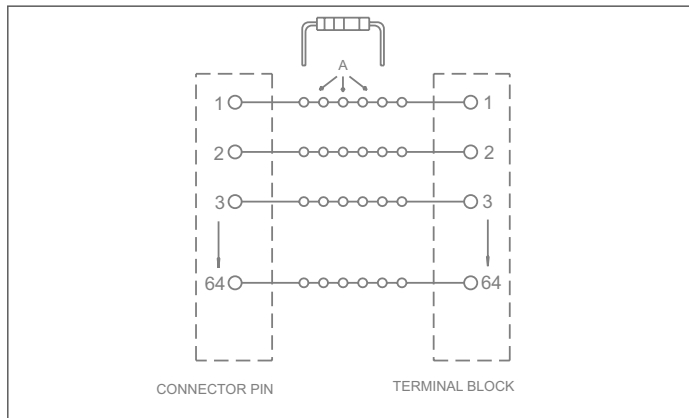
IMHD

SPECIFICATIONS		WIRE RANGE	CURRENT	VOLTAGE
Capacity		26 - 12 AWG	2.5 A	125 VAC

ORDERING INFORMATION		FIXED HIGH DENSITY D-SUB MODULE		
D-SUB to terminal block modules,		TYPE	CATALOG NO.	LENGTH (L)
	15 pin male	IMHD 15M	11100	1.99" (50.6mm)
	26 pin	IMHD 26M	11102	3.18" (80.8mm)
	44 pin	IMHD 44M	11104	4.98" (126.4mm)
	15 pin female	IMHD 15F	11101	1.99" (50.6mm)
	26 pin	IMHD 26F	11103	1.99" (80.8mm)
	44 pin	IMHD 44F	11105	4.98" (126.4mm)

ACCESSORIES		TYPE	CATALOG No.	Pcs/PKG
Panel mounting ears		ET-PME	20373	10
End stop, width .31" (8mm)		BTU	BT005	25
	universal	BT/3	BT003	25
	35mm rail only			
Mounting rail, DIN (2 meter length)		PR/3/AC	PR003	1
	non-slotted symmetrical 35mm x 7.5mm	PR/3/AS	PR005	1
	slotted symmetrical 35mm x 7.5mm	PR/3/PP	PR007	1
	non-slotted symmetrical 35mm x 15mm	PR/3/PA	PR006	1
	slotted symmetrical 35mm x 15mm			

TYPICAL SCHEMATIC



Component mounting holes located on each trace at 0.1" centers allow customers to insert components in parallel or series. To place a component in series customer removes trace (A) between component mounting holes under added component. The traces are located on the bottom side of the printed circuit board.