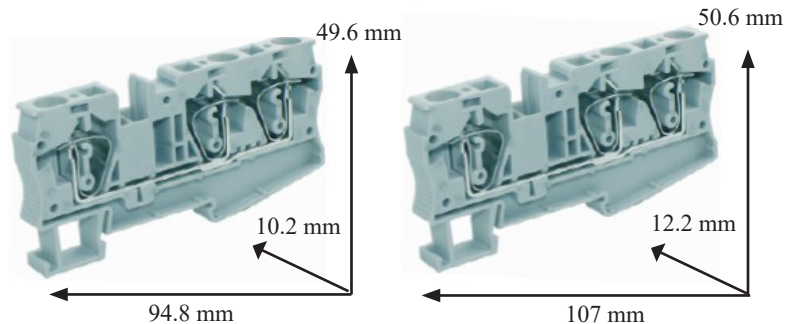


Spring Clamp DIN Rail Mounted Terminal Blocks

- Drop-in replacements to major manufacturers
- Models are 16 to 4 AWG, 65 to 85 A, 600 V
- Single level, double level, multi-wire, ground and fuse terminal blocks available
- Material of housing: UL94V0 polyamide
- Easy to install push-in jumpers
- Multiple labeling options



| Ordering Info | | |
|---------------------------|-----------------------|-----------------------|
| Order # | ASI421118 | ASI421120 |
| Type | ASIUJ5-10/1X2 | ASIUJ5-16/1X2 |
| Description | 3-Wire Terminal Block | 3-Wire Terminal Block |
| Pkg Size | 50 pcs | 50 pcs |
| Specifications | | |
| Wire Range (AWG) | 16-6 | 16-4 |
| Voltage Rating (V) | 600 | 600 |
| Current Rating (A) | 65 | 85 |
| Color | Gray | Gray |
| Accessories | | |
| | Order # | Order # |
| End Cover | ASI422048 | ASI422050 |
| Push-In Jumpers | | |
| 2-pos | | |
| 3-pos | | |
| 4-pos | | |
| 5-pos | | |
| 10-pos | ASI423021 | ASI423022 |
| Labeling Strip | ASI014004 | ASI014004 |
| End Stop | ASIUD1B | ASIUD1B |
| DIN Rail 1-Meter | | |
| 7.5 x 35mm slotted | PR005-1M | PR005-1M |
| 7.5 x 35mm non-slotted | PR003-1M | PR003-1M |
| DIN Rail 2-Meter | | |
| 7.5 x 35mm slotted | PR005 | PR005 |
| 7.5 x 35mm non-slotted | PR003 | PR003 |

Custom Rail Assemblies Available

