



Your Source for Automation Components

# UKJ-VIOK1.5-2D Multi-Level 4-Wire Sensor Terminal Block ASI011173

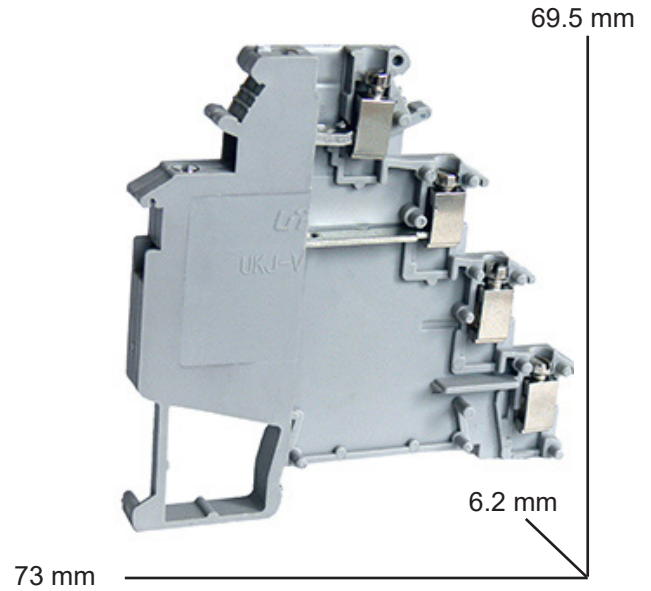
- Screw Clamp DIN Rail Mount Terminal Block
- Top Level: Sensor Signal Feed-Through
- Third Level: Signal Feed-Through
- Second Level: Sensor Power (-) via External Side Entry Bridge
- Bottom Level: Sensor Power (+) via External Side Entry Bridge

## DIMENSIONS

Depth x Width x Height: 73 x 6.2 x 69.5 mm  
(2.874 x 0.244 x 2.126")

## TECHNICAL PARAMETERS

Voltage: 300 V  
 Current: 15 A  
 Wire Range: 30-14 AWG sol/str  
 Torque: 5-7 Lb In  
 Stripping Length: 8 mm (0.315")



## ACCESSORIES



### **External Side Entry Bridge:**

- ASIEB10DIKRD-10 pos. Red
- ASIEB80DIKRD-80 pos. Red
- ASIEB10DIKBU-10 pos. Blue
- ASIEB80DIKBU-80 pos. Blue
- ASIEB10DIKWH-10 pos. White
- ASIEB80DIKWH-80 pos. White



ASIFBI106-Screw-In Internal Jumper, 10 pos.

ASI014002-Blank Markers, 10 pos.