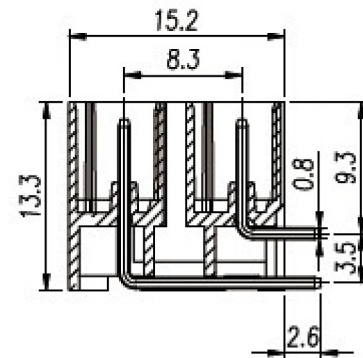
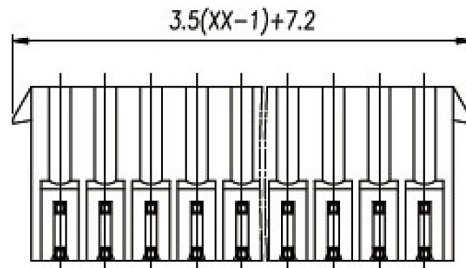
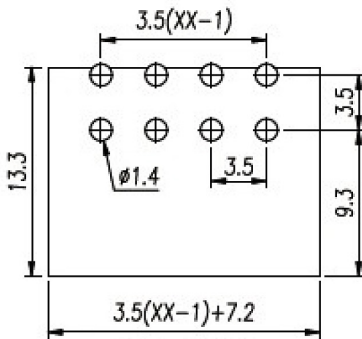
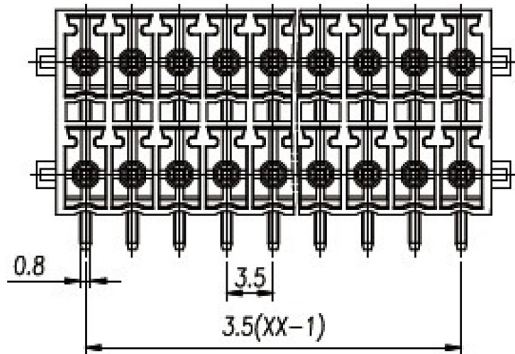


PCB Terminal Blocks Dual Row Horizontal Reflow Header ASIWJ15EDGRHBN-THT-3.5



Certification	
Material	
Pin/Plate	Brass, Tin Plated
Housing	LCP, UL 94V-0, Black
Electrical	
Standard	UL 1059/CSA C22.2 No. 158
Rated Voltage	300 V
Rated Current	8 A
Contact Resistance	20mΩ
Insulation Resistance	500MΩ/500 Vdc
Withstand Voltage	2000 Vac/1 Min
Mechanical	
Temperature Range	-40°C...+130°C
Size	
Pitch	3.5 mm (.138")
Poles	2P-16P. Additional sizes available on request.

Item	No. of Poles	Length (mm)
ASIWJ15EDGRHBN-THT-3.5-2P	2	10.7
ASIWJ15EDGRHBN-THT-3.5-3P	3	14.2
ASIWJ15EDGRHBN-THT-3.5-4P	4	17.7
ASIWJ15EDGRHBN-THT-3.5-5P	5	21.2
ASIWJ15EDGRHBN-THT-3.5-6P	6	24.7
ASIWJ15EDGRHBN-THT-3.5-7P	7	28.2
ASIWJ15EDGRHBN-THT-3.5-8P	8	31.7
ASIWJ15EDGRHBN-THT-3.5-9P	9	35.2
ASIWJ15EDGRHBN-THT-3.5-10P	10	38.7
ASIWJ15EDGRHBN-THT-3.5-11P	11	42.2
ASIWJ15EDGRHBN-THT-3.5-12P	12	45.7
ASIWJ15EDGRHBN-THT-3.5-13P	13	49.2
ASIWJ15EDGRHBN-THT-3.5-14P	14	52.7
ASIWJ15EDGRHBN-THT-3.5-15P	15	56.2
ASIWJ15EDGRHBN-THT-3.5-16P	16	59.7