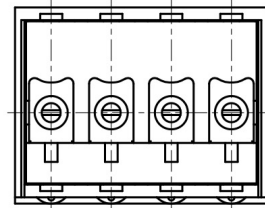
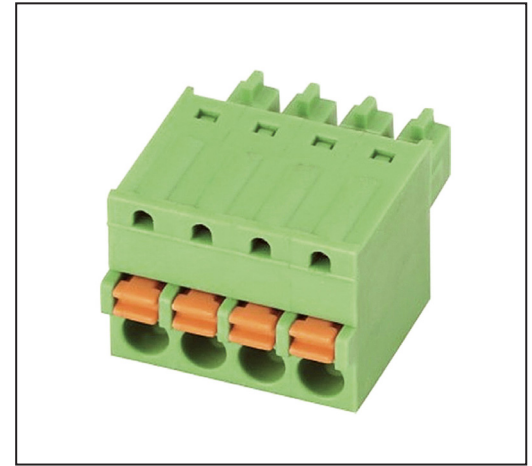
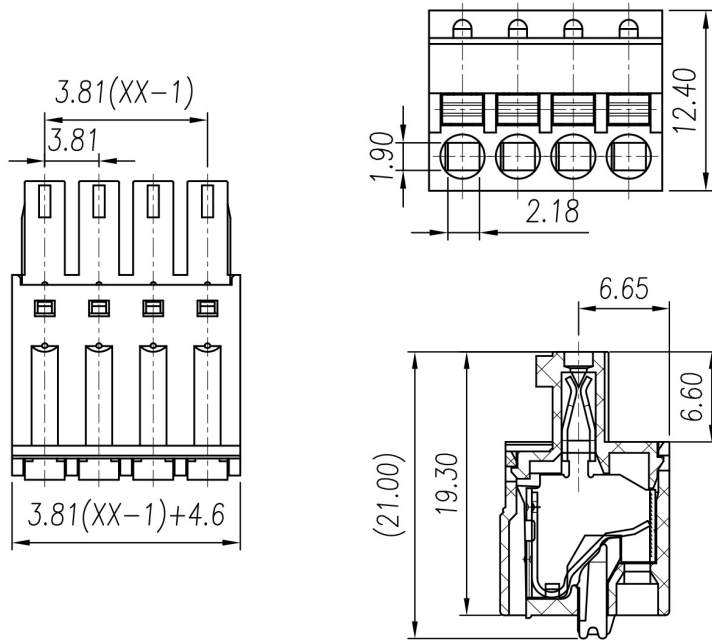


PCB Terminal Blocks Connector, Top Wire Entry with Spring Clamp Termination ASIWJ15EDGKD-3.81



Certification	
Material	
Pin/Plate	Phosphor Bronze, Nickel Plated
Spring	Stainless Steel
Housing	PA66, UL 94V-0, Green
Electrical	
Standard	UL 1059/CSA C22.2 No. 158
Rated Voltage	300 V
Rated Current	8 A
Wire Range	28-16 AWG
Contact Resistance	20mΩ
Insulation Resistance	500MΩ/500 Vdc
Withstand Voltage	2000 Vac/1 Min
Mechanical	
Temperature Range	-40°C...+105°C
Strip Length	6-7 mm (0.24-0.28")
Size	
Pitch	3.81 mm (.150")
Poles	2P-16P. Additional sizes available on request.

Item	No. of Poles	Length (mm)
ASIWJ15EDGKD-3.81-2P	2	8.41
ASIWJ15EDGKD-3.81-3P	3	12.22
ASIWJ15EDGKD-3.81-4P	4	16.03
ASIWJ15EDGKD-3.81-5P	5	19.84
ASIWJ15EDGKD-3.81-6P	6	23.75
ASIWJ15EDGKD-3.81-7P	7	27.46
ASIWJ15EDGKD-3.81-8P	8	31.27
ASIWJ15EDGKD-3.81-9P	9	35.08
ASIWJ15EDGKD-3.81-10P	10	38.89
ASIWJ15EDGKD-3.81-11P	11	42.7
ASIWJ15EDGKD-3.81-12P	12	46.51
ASIWJ15EDGKD-3.81-13P	13	50.32
ASIWJ15EDGKD-3.81-14P	14	54.13
ASIWJ15EDGKD-3.81-15P	15	57.94
ASIWJ15EDGKD-3.81-16P	16	61.75