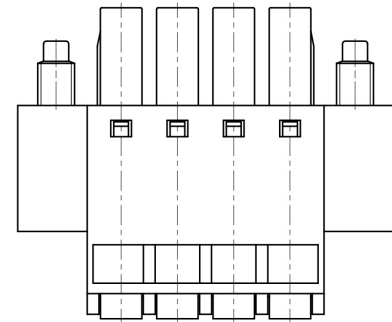
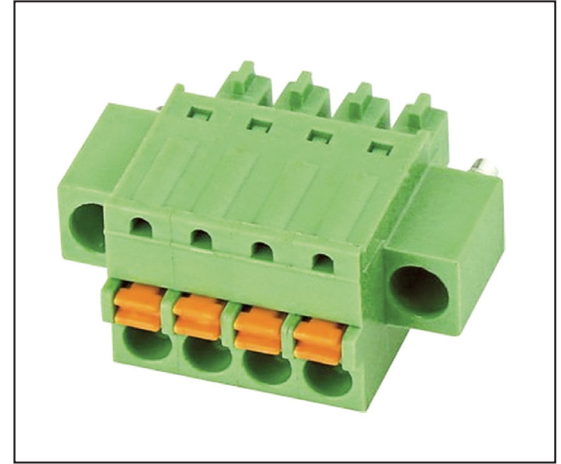
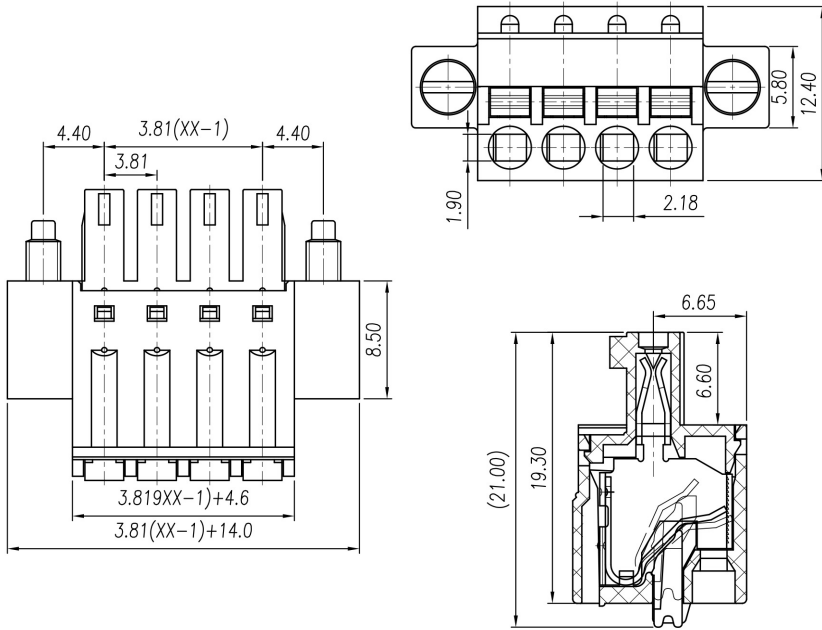



## PCB Terminal Blocks Connector, Top Wire Entry with Screw Lock ASIWJ15EDGKDM-3.81



| Certification   |  |
|---|--|
|  |  |
| Material  |  |
| Lock Screw  | M2.5 Steel, Tin Plated                         |
| Pin/Plate   | Phosphor Bronze, Nickel Plated                 |
| Spring  | Stainless Steel                                |
| Housing   | PA66, UL 94V-0, Green                          |
| Electrical  |  |
| Standard  | UL 1059/CSA C22.2 No. 158                      |
| Rated Voltage   | 300 V  |
| Rated Current   | 8 A  |
| Wire Range  | 28-16 AWG                                      |
| Contact Resistance  | 20mΩ   |
| Insulation Resistance   | 500MΩ/500 Vdc                                  |
| Withstand Voltage   | 2000 Vac/1 Min                                 |
| Mechanical  |  |
| Temperature Range   | -40°C...+105°C                                 |
| Strip Length  | 6-7 mm (0.24-0.28")                            |
| Size  |  |
| Pitch   | 3.81 mm (.150")                                |
| Poles   | 2P-16P. Additional sizes available on request. |

| Item                   | No. of Poles | Length (mm) |
|------------------------|--------------|-------------|
| ASIWJ15EDGKDM-3.81-2P  | 2            | 17.81       |
| ASIWJ15EDGKDM-3.81-3P  | 3            | 21.62       |
| ASIWJ15EDGKDM-3.81-4P  | 4            | 25.43       |
| ASIWJ15EDGKDM-3.81-5P  | 5            | 29.24       |
| ASIWJ15EDGKDM-3.81-6P  | 6            | 33.05       |
| ASIWJ15EDGKDM-3.81-7P  | 7            | 36.86       |
| ASIWJ15EDGKDM-3.81-8P  | 8            | 40.67       |
| ASIWJ15EDGKDM-3.81-9P  | 9            | 44.48       |
| ASIWJ15EDGKDM-3.81-10P | 10           | 48.29       |
| ASIWJ15EDGKDM-3.81-11P | 11           | 52.1        |
| ASIWJ15EDGKDM-3.81-12P | 12           | 55.91       |
| ASIWJ15EDGKDM-3.81-13P | 13           | 59.72       |
| ASIWJ15EDGKDM-3.81-14P | 14           | 63.53       |
| ASIWJ15EDGKDM-3.81-15P | 15           | 67.44       |
| ASIWJ15EDGKDM-3.81-16P | 16           | 71.15       |