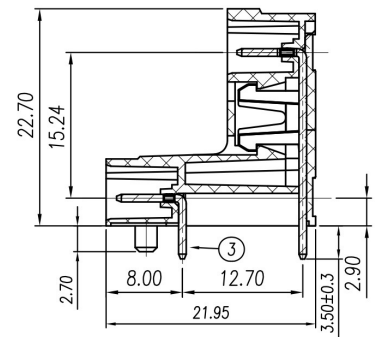
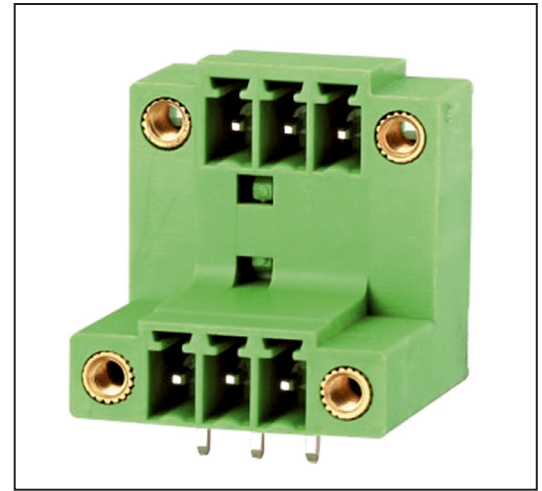
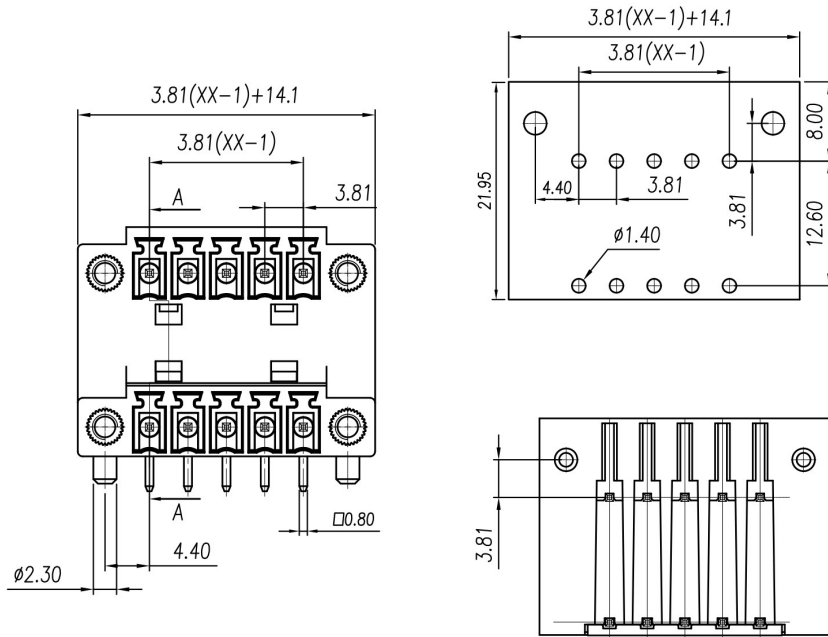


## PCB Terminal Blocks Double Level Horizontal Offset Header with Screw Lock ASIWJ15EDGRM-3.81



Certification	
	
Material	
Lock Nut	M2.5, Brass Plated
Pin/Plate	Brass, Tin Plated
Housing	PA66, UL 94V-0, Green
Electrical	
Standard	UL 1059/CSA C22.2 No. 158
Rated Voltage	300 V
Rated Current	8 A
Contact Resistance	20m $\Omega$
Insulation Resistance	500M $\Omega$ /500 Vdc
Withstand Voltage	2000 Vac/1 Min
Mechanical	
Temperature Range	-40°C...+105°C
Size	
Pitch	3.81 mm (.150")
Poles	2P-16P. Additional sizes available on request.

Item	No. of Poles	Length (mm)
ASIWJ15EDGRM-3.81-2P	2	17.91
ASIWJ15EDGRM-3.81-3P	3	21.72
ASIWJ15EDGRM-3.81-4P	4	25.53
ASIWJ15EDGRM-3.81-5P	5	29.34
ASIWJ15EDGRM-3.81-6P	6	33.15
ASIWJ15EDGRM-3.81-7P	7	36.96
ASIWJ15EDGRM-3.81-8P	8	40.77
ASIWJ15EDGRM-3.81-9P	9	44.58
ASIWJ15EDGRM-3.81-0P	10	48.39
ASIWJ15EDGRM-3.81-11P	11	52.2
ASIWJ15EDGRM-3.81-12P	12	56.01
ASIWJ15EDGRM-3.81-13P	13	59.82
ASIWJ15EDGRM-3.81-14P	14	63.63
ASIWJ15EDGRM-3.81-15P	15	67.44
ASIWJ15EDGRM-3.81-16P	16	71.25