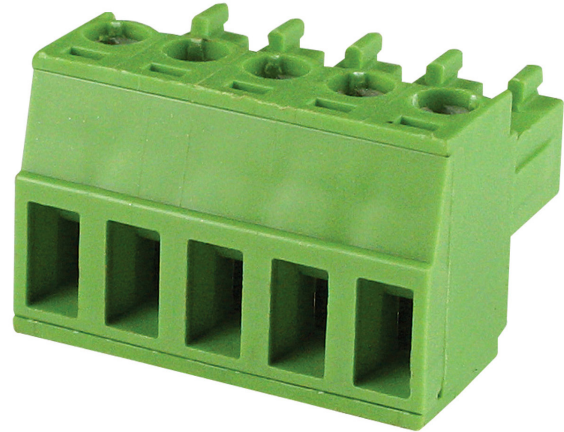
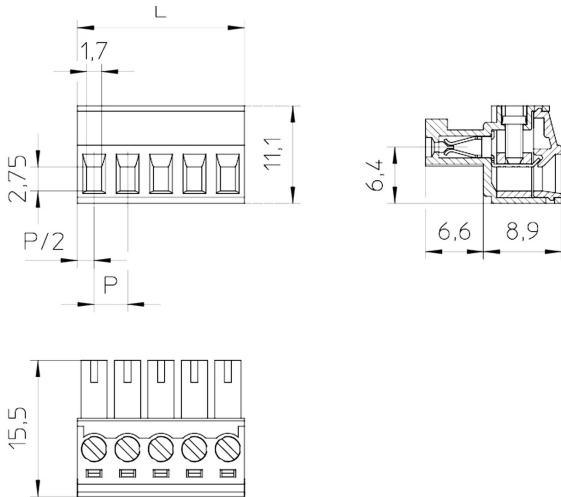




Your Source for Automation Components

# PCB Terminal Block, Pluggable MRT8P-3.5/3.81



Certifications	
Material	
Screw	M2 Stainless Steel
Wire Guard	Copper Alloy, Nickel plated
Pin/plate	Copper Alloy, Tin plated
Housing	PA66 UL94V-0, Green
Electrical	
Standard	UL1059/CSA C22.2 No.158
Rated Voltage	300V
Rated Current	8A
Wire range	30-16AWG
Contact resistance	20mΩ
Insulation resistance	500MΩ/500 Vdc
Withstand Voltage	2000 Vac/1Min
Mechanical	
Temperature range	-40°C~+105°C
Torque	0.3Nm (2.5Lb-in)
Strip length	5mm
Size	
Pitch	3.5/3.81mm
Poles	2P-20P

Item	Positions	Length (mm) 3.5/3.81
MRT8P-3.5/3.81-2VE	2	7 / 7.62
MRT8P-3.5/3.81-3VE	3	10.5 / 11.43
MRT8P-3.5/3.81-4VE	4	14 / 15.24
MRT8P-3.5/3.81-5VE	5	17.5 / 19.05
MRT8P-3.5/3.81-6VE	6	21 / 22.86
MRT8P-3.5/3.81-7VE	7	24.5 / 26.67
MRT8P-3.5/3.81-8VE	8	28 / 30.48
MRT8P-3.5/3.81-9VE	9	31.5 / 34.29
MRT8P-3.5/3.81-10VE	10	35 / 38.1
MRT8P-3.5/3.81-11VE	11	38.5 / 41.91
MRT8P-3.5/3.81-12VE	12	42 / 45.72
MRT8P-3.5/3.81-13VE	13	45.5 / 49.53
MRT8P-3.5/3.81-14VE	14	49 / 53.34
MRT8P-3.5/3.81-15VE	15	52.5 / 57.15
MRT8P-3.5/3.81-16VE	16	56 / 60.96
MRT8P-3.5/3.81-17VE	17	59.5 / 64.77
MRT8P-3.5/3.81-18VE	18	63 / 68.58
MRT8P-3.5/3.81-19VE	19	66.5 / 72.39
MRT8P-3.5/3.81-20VE	20	70 / 76.2