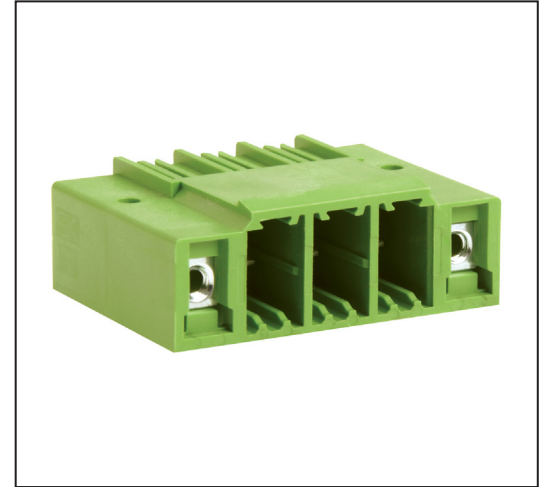
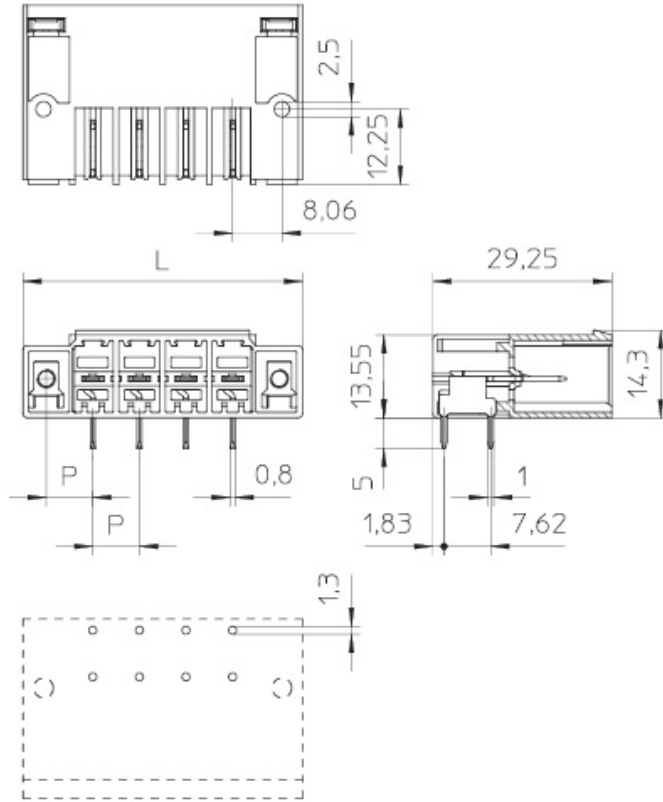


High Current PCB Terminal Blocks Horizontal Header with Screw Locks PWM1P7.62DPSQFV



Certification	
Material	
Screw Lock	M3.0 Steel, Zinc Plated
Header Pin	Copper Alloy, Tin Plated
Housing	PA66, UL 94V-0, Green
Electrical	
Standard	UL 1059/CSA C22.2 No. 158
Rated Voltage	300V UG3, 600 V UGD
Rated Current	41 A
Mechanical	
Temperature Range	-40°C...+130°C
Size	
Pitch	7.62 mm (.300")
Poles	2P-12P. Additional sizes available on request.

Item	No. of Poles	Length (mm)
PWM1P-7.62-2DPSQFV	2	30.48
PWM1P-7.62-3DPSQFV	3	38.1
PWM1P-7.62-4DPSQFV	4	45.72
PWM1P-7.62-5DPSQFV	5	53.34
PWM1P-7.62-6DPSQFV	6	60.96
PWM1P-7.62-7DPSQFV	7	68.58
PWM1P-7.62-8DPSQFV	8	76.2
PWM1P-7.62-9DPSQFV	9	83.82
PWM1P-7.62-10DPSQFV	10	91.44
PWM1P-7.62-11DPSQFV	11	99.06
PWM1P-7.62-12DPSQFV	12	106.68