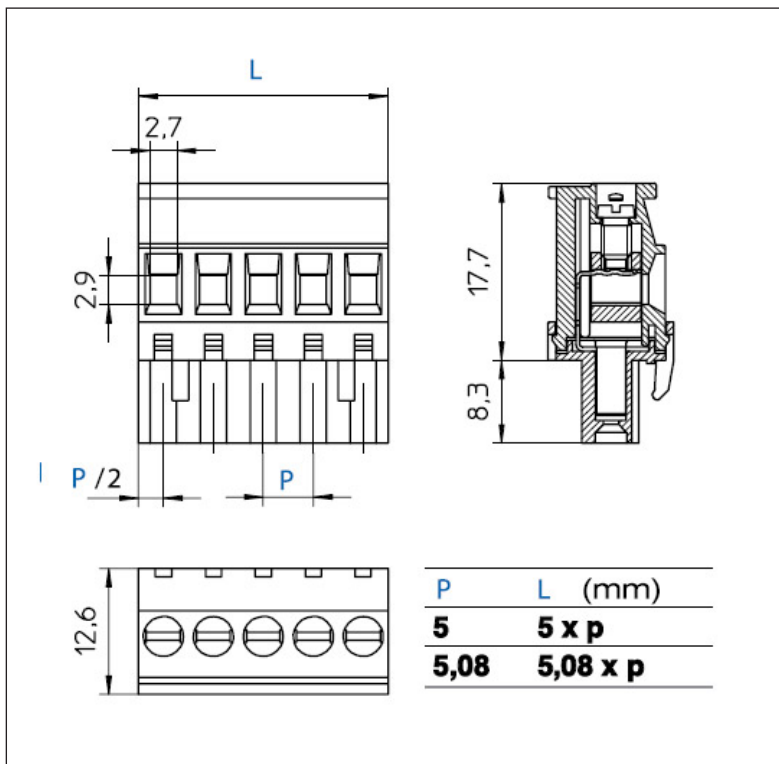


The MRT3V01 is a vertical pluggable terminal block, which provides for screw access on the top of the connector and wire entry on the side. They are available in 2 to 24 positions and in a wide range of pin spacings. The MRT3V01 provides wire entry to the connector above the molded-in slots for keying which should be considered with the pin header to be used on the printed circuit board. The MRT3V01 pluggable terminal block has a UL rating of 12 Amps, 300 Volts and a wire range of 30 -12 AWG.

SPECIFICATIONS

Housing Material:	PA68 Polyamide, UL94V0
Housing Color:	Black
Screw:	Zinc Plated Steel
Clamp:	Nickel Plated Brass
Pin:	Tin Plated Brass
Testing Torque:	4.4 in lb
Wire Range:	30-12 AWG
Nominal Current:	12A
Voltage:	300V
Temperature Range:	-30° C to 85° C



Item	No. of Poles	Length (mm)
MRT3P5.08-2V01NE	2	10.16
MRT3P5.08-3V01NE	3	15.28
MRT3P5.08-4V01NE	4	20.32
MRT3P5.08-5V01NE	5	25.4
MRT3P5.08-6V01NE	6	30.48
MRT3P5.08-7V01NE	7	35.56
MRT3P5.08-8V01NE	8	40.64
MRT3P5.08-9V01NE	9	45.72
MRT3P5.08-10V01NE	10	50.8
MRT3P5.08-11V01NE	11	55.88
MRT3P5.08-12V01NE	12	60.96