

■ Main Features:

- User Settable Output Voltage 12 – 24Vdc / 2.4 – 1.2Ah
- Integrated Self Resettable Overcurrent Protection
- Accepts 2 x Lead acid sealed batteries 12Vdc / 1.2Ah

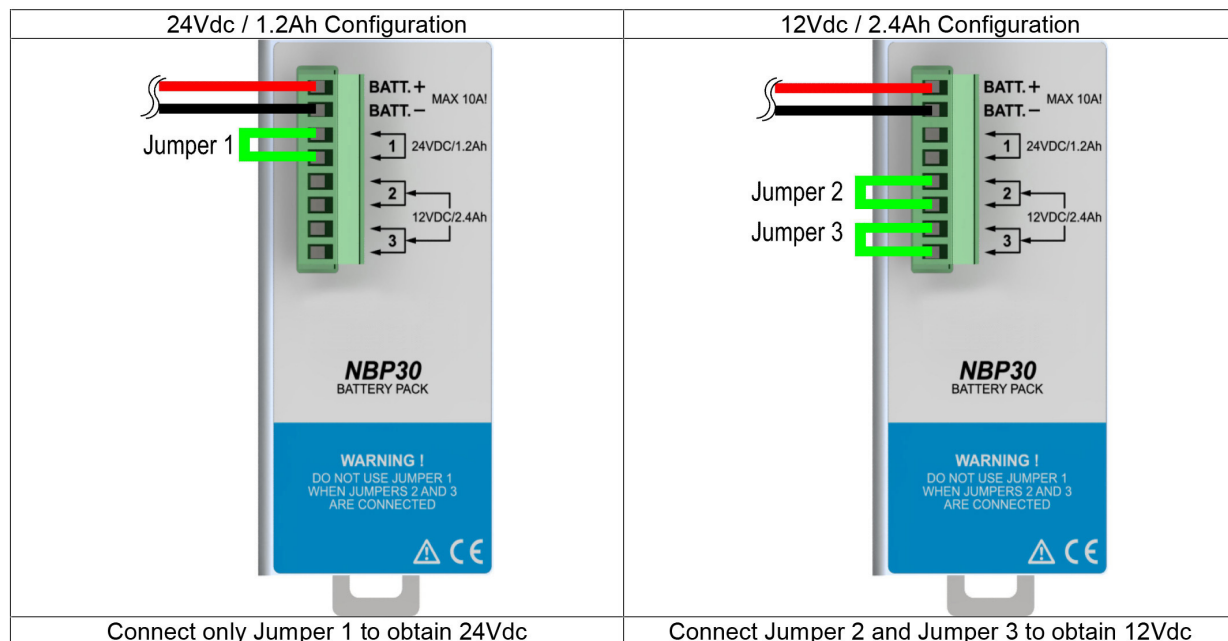


TECHNICAL DATA

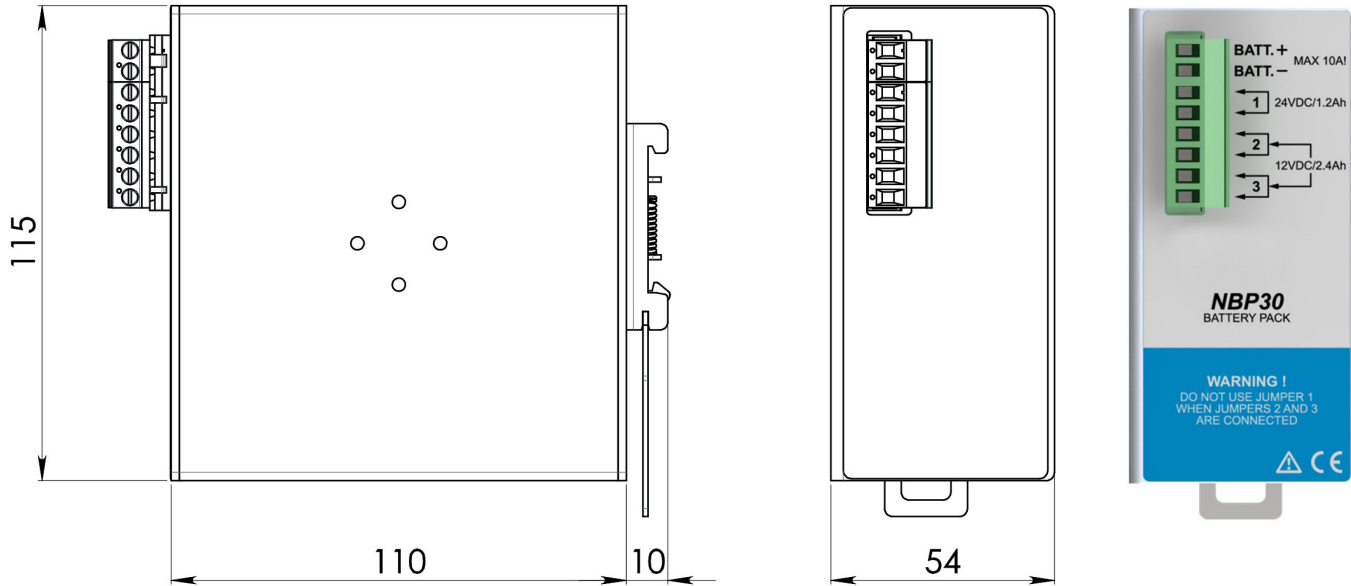
Model type	NBP30	
CONFIGURATION		
Voltage / Capacity	12Vdc / 2.4Ah	
Obtainable by external jumper	24Vdc / 1.2Ah	
GENERAL DATA		
Operating temperature	- 20°C...+50°C	
Protection degree	EN60529:1989 /A:2013	IP20
Battery Connectors	2.5mm ² , Pluggable screw type (24...12 AWG) 2 pins pluggable, 5.08mm pitch	
Selection Mode Connectors	2.5mm ² , Pluggable screw type (24...12 AWG) 6 pins pluggable, 5.08mm pitch	
Case material	Aluminum	
Approx. weight	2.36Kg(5.2 lbs.)	
Size (HxWxD)	110 x 54 x 115 mm (4.528 x 2.126 x 4.331")	
Mounting Rail	IEC 60715/H15/TH35-7.5(-15)	

Notes:

- For more details, performance and description regarding all parameters not indicated in the above table, please refer to user manual, downloadable from our website www.nextys.com.
- Technical parameters are typical, measured in laboratory environment at 25°C.
- Data may change without prior notice in order to improve the product.



Dimensions



Input / Output Connection:

- BATT. (+/-) = IN/OUT connector to (+/-) Battery
- 1 = Jumper connector to obtain 24Vdc/1.2Ah
- 2 + 3 = Jumper connectors to obtain 12Vdc/2.4Ah

