

Panel Interface Connector, Dual USB Type A Charger & AC Outlet Receptacle, 5 A/5 Vdc USB, 15A AC Outlet ASI RAI-DAC-USBC5.0-W

Features:

- UL recognized AC outlets and USB Chargers
- IP65, NEMA 4 protection ratings
- Locking protection cover
- Robust aluminum housing
- Easy to wire rear connections

Specifications:

Wire Range: 14-10 AWG

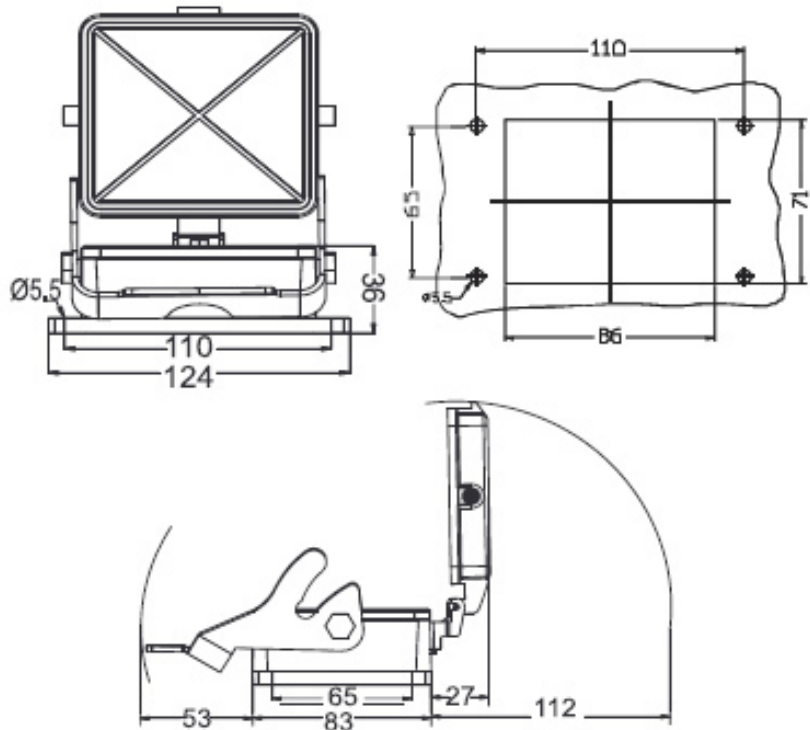
Voltage: 125 Vac / 5 Vdc

Current: 15 A / 5 A

Wire Termination: Screw Clamp



Mounting and Housing Dimensions (mm)



Mounts on Outside of Panel -

Ideal for mounting in equipment cabinets where AC power and USB recharging is required, i.e., cellphones, tablets, laptop computers, test equipment, analyzers, electrical tools, etc.