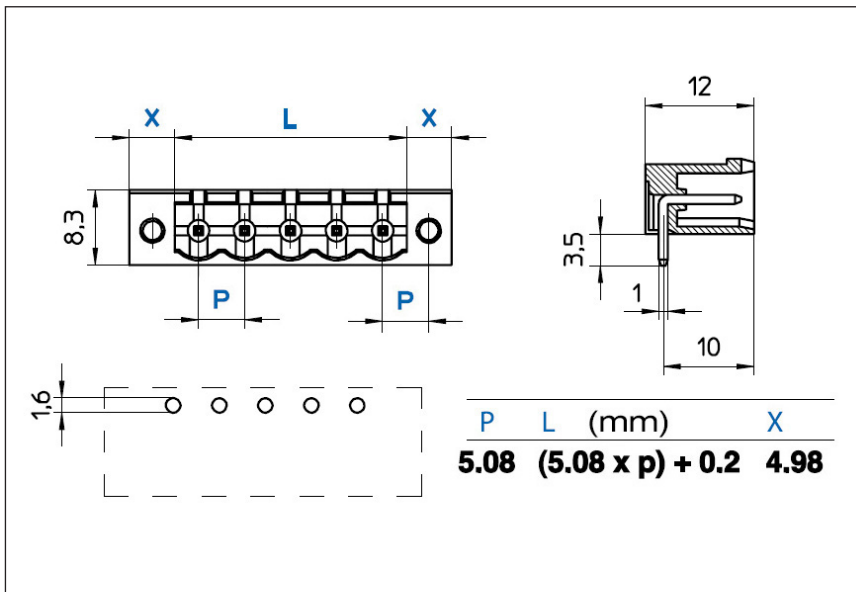
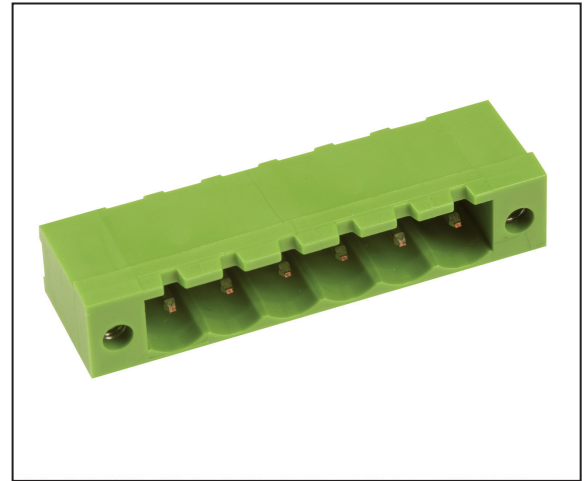


## Standard Pluggable PCB Terminal Block, Horizontal Header with Screw Flange CPM5.08-SQFV

The CPM family of printed circuit board headers is used with the CPF and MRT3 pluggable terminal blocks. The CPM is available in both a vertical and 90 degree version and with either open or closed ends. A feature of the CPM header is the molded-in polarization that insures proper mating of the plug. The CPM headers are available in 2 to 24 positions and have a UL rating of 16 amps, 300 volts. The standard color is green, however other colors are available upon request.

### SPECIFICATIONS

Housing Material:	PA68 Polyamide, Flammable UL94V0
Housing Color:	Green
Pin:	Tin Plated Brass
PCB Mounting Hole:	1.6 mm
Nominal Current:	16A
Voltage:	300V
Temperature Range:	-30° C to 85° C



Item	No. of Poles	Length (mm)
CPM5.08-2SQFV	2	20.32
CPM5.08-3SQFV	3	25.4
CPM5.08-4SQFV	4	30.48
CPM5.08-5SQFV	5	35.56
CPM5.08-6SQFV	6	40.64
CPM5.08-7SQFV	7	45.72
CPM5.08-8SQFV	8	50.8
CPM5.08-9SQFV	9	55.88
CPM5.08-10SQFV	10	60.96
CPM5.08-11SQFV	11	66.04
CPM5.08-12SQFV	12	71.12
CPM5.08-13SQFV	13	76.2
CPM5.08-14SQFV	14	81.12
CPM5.08-15SQFV	15	86.36
CPM5.08-16SQFV	16	91.44
CPM5.08-17SQFV	17	95
CPM5.08-18SQFV	18	101.6
CPM5.08-19SQFV	19	106.68
CPM5.08-20SQFV	20	111.76
CPM5.08-21SQFV	21	116.84
CPM5.08-22SQFV	22	121.92
CPM5.08-23SQFV	23	127
CPM5.08-24SQFV	24	132.08