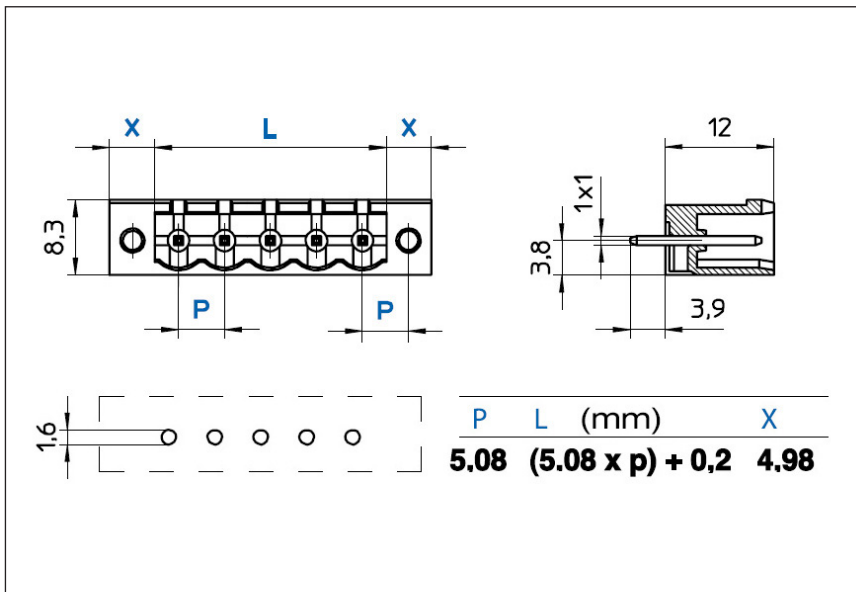
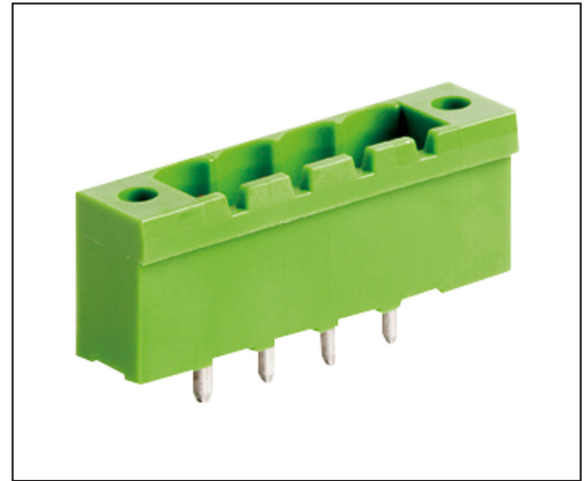


Standard Pluggable PCB Terminal Block Header with Screw Flange CPM5.08-FV

The CPM family of printed circuit board headers is used with the CPF and MRT3 pluggable terminal blocks. The CPM is available in both a vertical and 90 degree version and with either open or closed ends. A feature of the CPM header is the molded-in polarization that insures proper mating of the plug. The CPM headers are available in 2 to 24 positions and have a UL rating of 16 amps, 300 volts. The standard color is green, however other colors are available upon request.

SPECIFICATIONS

Housing Material:	PA68 Polyamide, Flammable UL94V0
Housing Color:	Green
Pin:	Tin Plated Brass
PCB Mounting Hole:	1.6 mm
Nominal Current:	16A
Voltage:	300V
Temperature Range:	-30° C to 85° C



Item	No. of Poles	Length (mm)
CPM5.08-2FV	2	20.32
CPM5.08-3FV	3	25.4
CPM5.08-4FV	4	30.48
CPM5.08-5FV	5	35.56
CPM5.08-6FV	6	40.64
CPM5.08-7FV	7	45.72
CPM5.08-8FV	8	50.8
CPM5.08-9FV	9	55.88
CPM5.08-10FV	10	60.96
CPM5.08-11FV	11	66.04
CPM5.08-12FV	12	71.12
CPM5.08-13FV	13	76.2
CPM5.08-14FV	14	81.12
CPM5.08-15FV	15	86.36
CPM5.08-16FV	16	91.44
CPM5.08-17FV	17	95
CPM5.08-18FV	18	101.6
CPM5.08-19FV	19	106.68
CPM5.08-20FV	20	111.76
CPM5.08-21FV	21	116.84
CPM5.08-22FV	22	121.92
CPM5.08-23FV	23	127
CPM5.08-24FV	24	132.08